

## Two-Stage Hysteretic LED Driver

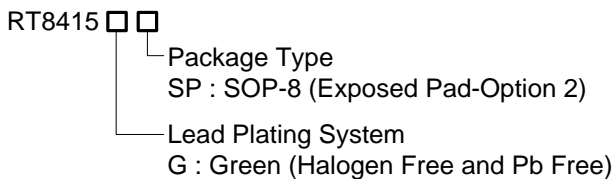
### General Description

The RT8415 is a two-stage LED driver controller with the 2<sup>nd</sup> stage MOSFET integrated inside. It consists of a Boost controller on the first stage and a Buck converter on the second stage. By adapting two-stage topology, RT8415 is highly compatible with ET (Electronic Transformer) and performs extremely high Power Factor in specific MR16 / AR111 LED lighting applications.

The Boost converter on the first stage provides constant output voltage with well inductor current control. The Buck converter on the second stage provides constant LED output current by hysteretic peak current regulation.

The RT8415 is available in the SOP-8 (Exposed Pad) package.

### Ordering Information



Note :

Richtek products are :

- ▶ RoHS compliant and compatible with the current requirements of IPC/JEDEC J-STD-020.
- ▶ Suitable for use in SnPb or Pb-free soldering processes.

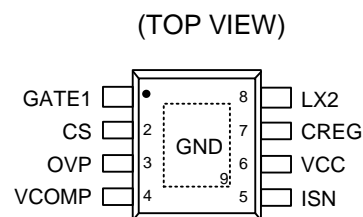
### Features

- Two-Stage Topology (Boost + Buck)
- 2<sup>nd</sup> Stage MOSFETs Inside
- Wide Input Voltage Range : 4.5V to 36V
- Excellent Power Factor
- Programmable Boost Output Voltage
- Independent Dual Stage Function
- Programmable LED Current with  $\pm 6\%$  LED Current Accuracy
- Flicker-Free LED
- Wide Electronic Transformer Compatibility
- Input Under Voltage Lockout Detection
- Thermal Shutdown Protection
- SOP-8 (Exposed Pad) Package

### Applications

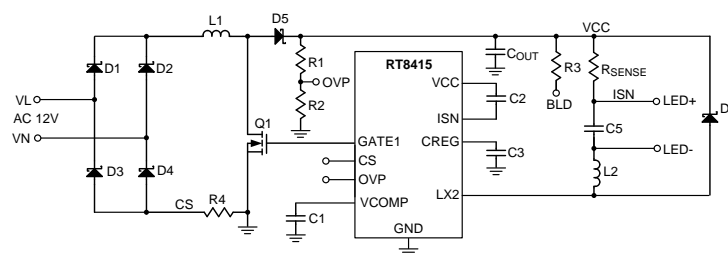
- MR16 Lighting
- Signage and Decorative LED Lighting
- Architectural Lighting
- High Power LED Lighting
- Low Voltage Industrial Lighting
- Indicator and Emergency Lighting
- Automotive LED Lighting

### Pin Configuration

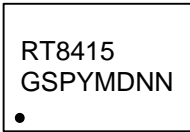


SOP-8 (Exposed Pad)

### Simplified Application Circuit



## Marking Information



RT8415GSP : Product Number  
 YMDNN : Date Code

## Functional Pin Description

Pin No.	Pin Name	Pin Function
1	GATE1	The 1 <sup>st</sup> stage output gate.
2	CS	The 1 <sup>st</sup> stage current sense input.
3	OVP	Over-voltage protection sense input.
4	VCOMP	Compensation node. A compensation network between VCOMP and GND is needed.
5	ISN	LED current sense amplifier negative input.
6	VCC	Power supply. For good bypass, place a ceramic capacitor near the VCC pin.
7	CREG	Internal regulator output. Place a 4.7 $\mu$ F Capacitor between CREG and GND pins.
8	LX2	Switch node. The 2 <sup>nd</sup> Stage Internal MOSFET Drain.
9 (Exposed Pad)	GND	Ground. The Exposed Pad must be soldered to a large PCB and connected to GND for maximum power dissipation.



## Absolute Maximum Ratings (Note 1)

- Supply Voltage, VCC to GND ----- -0.3V to 40V
- CREG, OVP, VCOMP, CS to GND ----- -0.3V to 6V
- LX2 to GND ----- -0.3V to 40V
- VCC to ISN ----- -0.3V to 3V
- Power Dissipation, P<sub>D</sub> @ T<sub>A</sub> = 25°C
  - SOP-8 (Exposed Pad) ----- 2.46W
- Package Thermal Resistance (Note 2)
  - SOP-8 (Exposed Pad), θ<sub>JA</sub> ----- 40.6°C/W
  - SOP-8 (Exposed Pad), θ<sub>JC</sub> ----- 2°C/W
- Lead Temperature (Soldering, 10 sec.) ----- 260°C
- Junction Temperature ----- 150°C
- Storage Temperature Range ----- -65°C to 150°C
- ESD Susceptibility (Note 3)
  - HBM (Human Body Model) ----- 2kV
  - MM (Machine Model) ----- 200V

## Recommended Operating Conditions (Note 4)

- Supply Input Voltage, VCC ----- 4.5V to 36V
- Ambient Temperature Range ----- -40°C to 85°C
- Junction Temperature Range ----- -40°C to 125°C

## Electrical Characteristics

(V<sub>CC</sub> = 20V<sub>DC</sub>, No Load, C<sub>LOAD</sub> = 1nF, T<sub>A</sub> = 25°C, unless otherwise specified.)

Parameter	Symbol	Test Conditions	Min	Typ	Max	Unit	
<b>Supply Voltage</b>							
CREG UVLO_ON	V <sub>UVLO_ON</sub>	OVP = 0V	--	4.2	--	V	
CREG UVLO_OFF	V <sub>UVLO_OFF</sub>	OVP = 0V	--	3.9	--	V	
<b>Supply Current</b>							
VCC Shutdown Current	I <sub>SHDN</sub>	V <sub>CC</sub> = 2V	--	10	--	μA	
VCC Quiescent Current	I <sub>Q</sub>		--	2	--	mA	
VCC OVP Trigger Level	V <sub>CC_OVP</sub>		--	39	--	V	
Internal Reference Voltage	V <sub>CREG</sub>		--	5	--	V	
Internal Reference Voltage (I <sub>CREG</sub> = -20mA)		I <sub>CREG</sub> = -20mA	--	4.9	--	V	
<b>Boost Converter</b>							
Stage 1 OVP	High Level	V <sub>OVP_H</sub>		--	1.88	--	V
	Low Level	V <sub>OVP_L</sub>		1.52	1.6	1.68	V
OVP Pin Leakage Current	I <sub>OVP</sub>		--	1	--	μA	
CS Input Impedence		CS = -0.2V	--	50	--	kΩ	

Parameter	Symbol	Test Conditions	Min	Typ	Max	Unit
UGATE1 Drive Sink	RUGATE1sk	Sink = 50mA	--	2	--	Ω
LGATE1 Drive Source	RLGATE1sr	Source = -50mA	--	1.5	--	Ω
GATE1 Default Pull Down Resistor	RLGATE1sr		--	90	--	kΩ
<b>Buck Converter</b>						
ISN Threshold	$V_{CC} - V_{ISN}$		103	110	117	mV
Stage 2 Peak to Peak Sense Voltage		$(dV1 + dV2) / 2$	--	15	--	%
LX2 Internal Switch $R_{DS(ON)}$	$R_{DS(ON)\_LX2}$	Sink = 100mA	--	0.2	--	Ω
<b>Temperature Protection</b>						
Over-Temperature Threshold	$T_{SD}$	(Note 5)	--	150	--	°C
Over-Temperature Threshold Hysteresis	$\Delta T_{SD}$	(Note 5)	--	30	--	°C

**Note 1.** Stresses beyond those listed “Absolute Maximum Ratings” may cause permanent damage to the device. These are stress ratings only, and functional operation of the device at these or any other conditions beyond those indicated in the operational sections of the specifications is not implied. Exposure to absolute maximum rating conditions may affect device reliability.

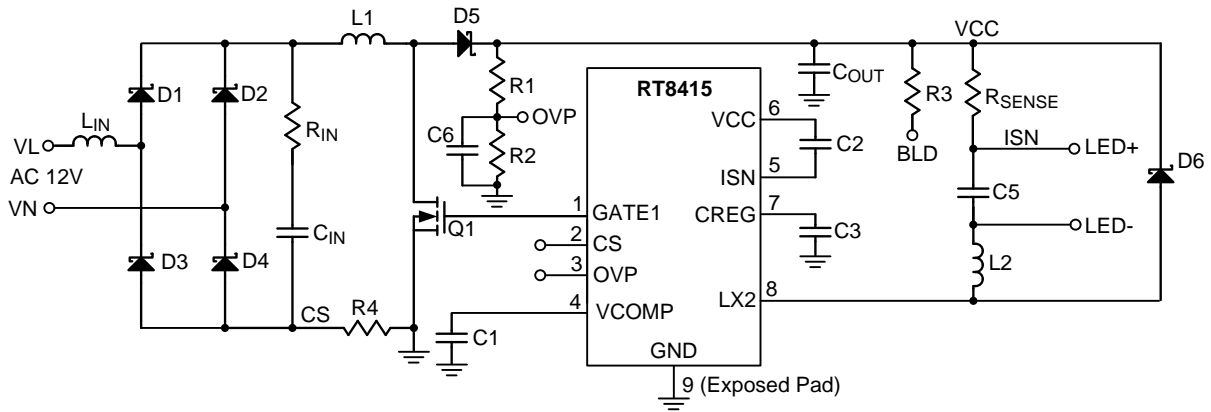
**Note 2.**  $\theta_{JA}$  is measured under natural convection (still air) at  $T_A = 25^\circ\text{C}$  with the component mounted on a low effective-thermal-conductivity two-layer test board on a JEDEC thermal measurement standard.  $\theta_{JC}$  is measured at the exposed pad of the package.

**Note 3.** Devices are ESD sensitive. Handling precaution recommended.

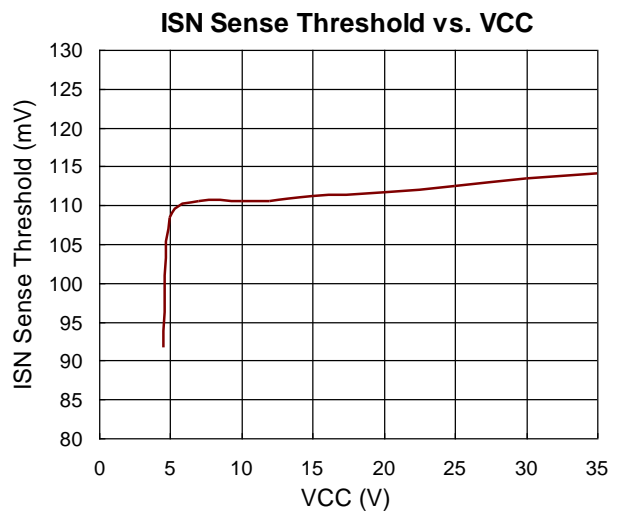
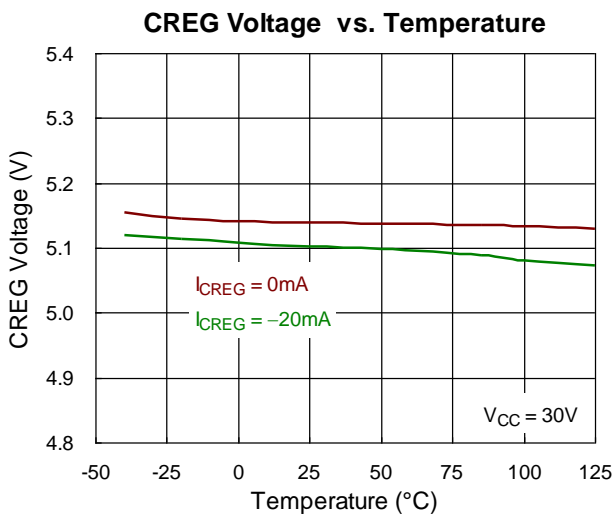
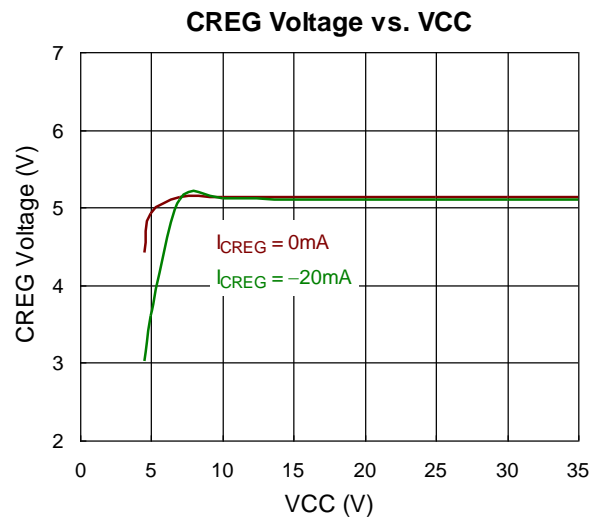
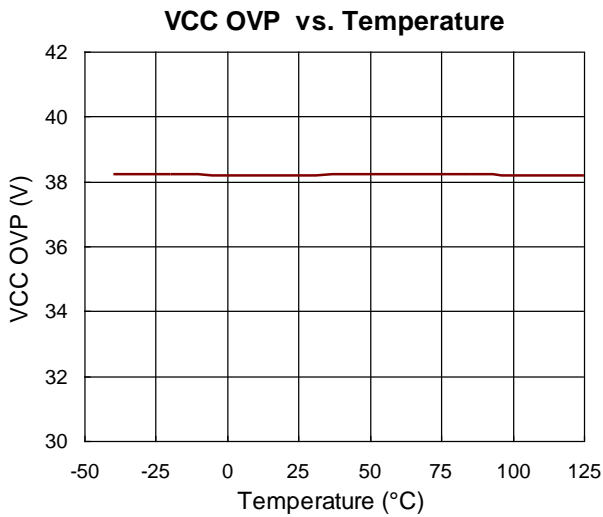
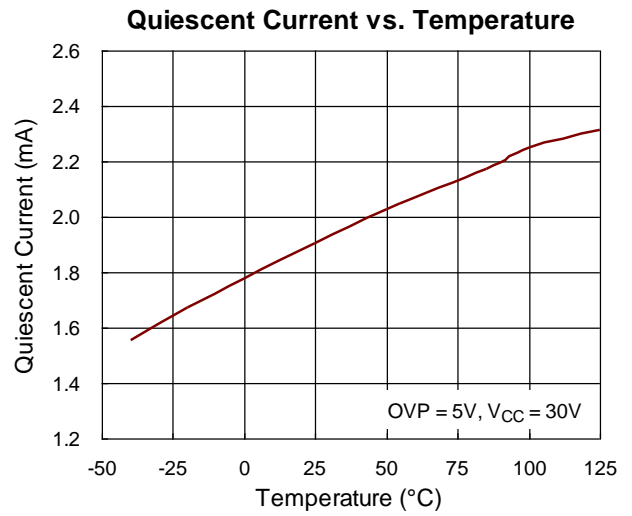
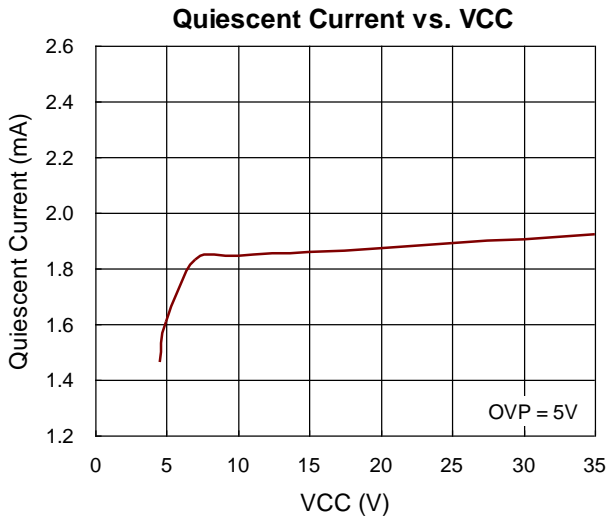
**Note 4.** The device is not guaranteed to function outside its operating conditions.

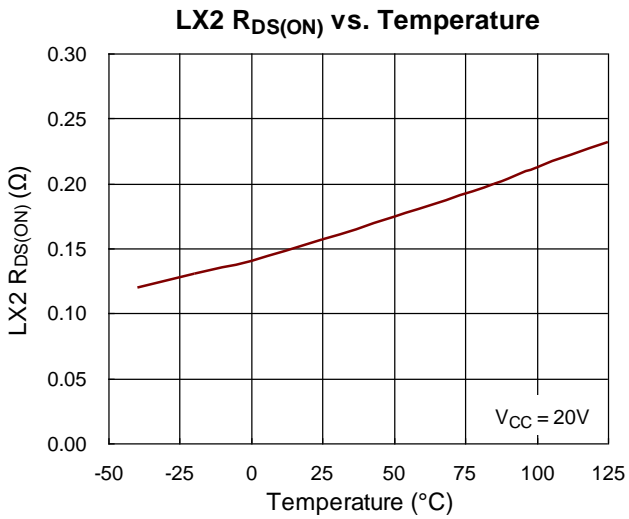
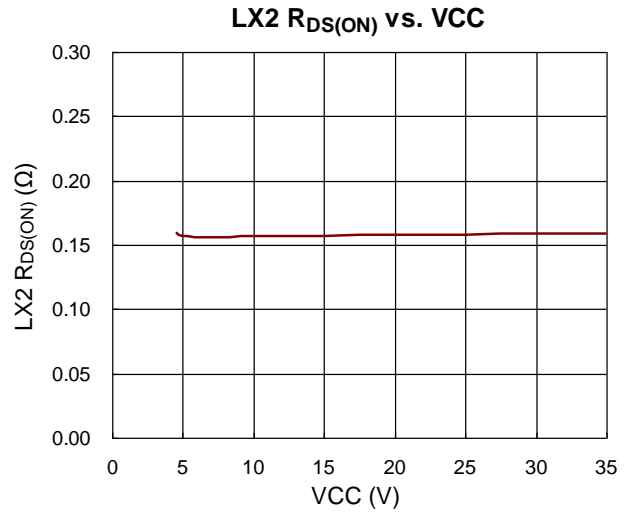
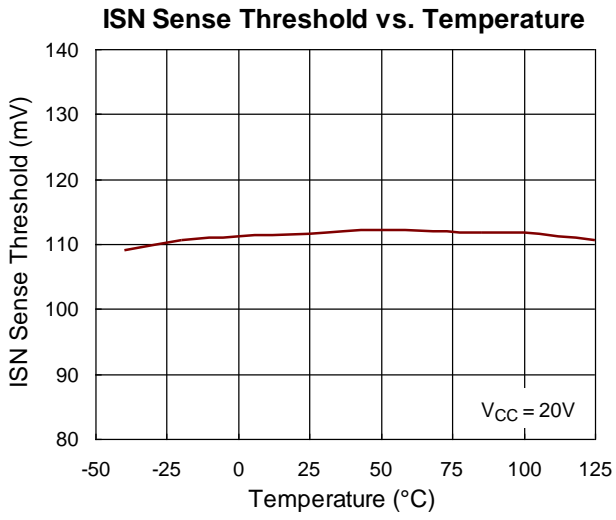
**Note 5.** Guaranteed by design.

Typical Application Circuit



**Typical Operating Characteristics**







## Application Information

The RT8415 consists of a constant voltage Boost controller and a constant output current Buck controller. The Boost controller is based on a peak current, well PFC control architecture, and designed to operate up to 1MHz to use a very small inductor for space constrained applications.

### Under-Voltage Lockout (UVLO)

The RT8415 includes an under-voltage lockout function with 300mV hysteresis. The internal MOSFET turns off when VCC falls below 3.9V (typ.).

### CREG Regulator

The CREG pin requires a capacitor for stable operation and to store the charge for the large GATE switching currents. Choose a 10V rated low ESR, X7R or X5R, ceramic capacitor for best performance. A 4.7μF capacitor will be adequate for many applications. Place the capacitor close to the IC to minimize the trace length to the CREG pin and to the IC ground. An internal current limit on the CREG output protects the RT8415 from excessive on-chip power dissipation. The CREG pin has set the output to 4.2V (typ.) to protect the internal FETs from excessive power dissipation caused by not being fully enhanced. If the CREG pin is used to drive extra circuits beside RT8415, the extra loads should be limited to less than 10mA.

### Average Output Current Setting

The output current that flows through the LED string is set by an external resistor, R<sub>SENSE</sub>, which is connected between the VCC and ISN terminal. The relationship between output current, I<sub>OUT</sub>, and R<sub>SENSE</sub> is shown below :

$$I_{OUT} = \frac{110mV}{R_{SENSE}}$$

### LED Current Ripple Reduction

Higher LED current ripple will shorten the LED life time and increase heat accumulation of LED. To reduce the LED current ripple, an output capacitor in parallel with the LED should be added. The typical value of output capacitor is 4.7μF.

### VCC Voltage Setting

The VCC voltage setting is equipped with an over-voltage protection (OVP) function. When the voltage at the OVP pin exceeds threshold approximately 1.88V, the power switch is turned off. The power switch can be turned on again once the voltage at the OVP pin drops below 1.6V. For Boost applications, the output voltage can be set by the following equation :

$$V_{CC(MAX)} = 1.88V \times \left(1 + \frac{R1}{R2}\right)$$

R1 and R2 are the voltage divider resistors from VOUT to GND with the divider center node connected to the OVP pin. For MR16 LED lamp application, the minimum voltage of V<sub>CC</sub> should maintain above 25V for stable operation.

The VCC voltage setting is equipped with an Over-Voltage Protection function. When the voltage at the VCC pin exceeds threshold approximately 39V, the power switch is turned off.

### Step-Down Converter Inductor Selection

The RT8415 implemented a simple high efficiency, continuous mode inductive step-down converter. The inductance L2 in Buck converter is determined by the following factors : inductor ripple current, switching frequency, V<sub>OUT</sub>/V<sub>CC</sub> ratio, internal MOSFET, topology specifications, and component parameter. The inductance L2 is calculated according to the following equation :

$$L2 \geq \left[ V_{CC(MAX)} - V_{OUT} - 0.11 - (R_{DS(ON\_LX2)} \times I_{OUT}) \right] \times \frac{D2}{(f_{SW2} \times \Delta I_{OUT})}$$

where

f<sub>SW2</sub> is the switching frequency of Buck controller (Hz).

R<sub>DS2(ON)\_LX2</sub> is the low-side switch on-resistance of internal MOSFET M2. The typical value is 0.2Ω.

D2 is the duty cycle = V<sub>OUT</sub> / V<sub>CC</sub>.

I<sub>OUT</sub> is the required LED current (A).

ΔI<sub>OUT</sub> is the inductor peak-peak ripple current (internally set to 0.3 x I<sub>OUT</sub>).

V<sub>CC</sub> is the Buck input voltage (V).

$V_{OUT}$  is the total LED forward voltage (V).

$L2$  is the inductance (H).

The selected inductor must have saturation current higher than the peak output LED current and continuous current rating above the required average output LED current. In general, the inductor saturation current should be 1.5 times the LED current. In order to minimize output current ripple, higher values of inductance are recommended at higher supply voltages. Because high values of inductance has high line resistance, it will cause lower efficiency.

### Step-Up Converter Inductor Selection

The RT8415 uses a continuous mode and well inductor control to provide wide electronic transformer compatibility step-up converter.

Following the continuous mode mechanism, the inductance  $L1$  is calculated according to the following equation :

$$L1 \geq \left[ V_{IN} - V_{FBR} - (R_{DS(ON\_Q1)} \times I_{L1}) - (R4 \times I_{L1}) \right] \times \frac{D1}{(f_{SW1} \times \Delta I_{L1})}$$

The limit current of first inductor is calculated according to the following equation :

$$I_{L1\_LIMIT} = \frac{V_{CL}}{R4}$$

where

$f_{SW1}$  is the switching frequency of Boost controller (Hz).

$R_{DS(ON\_Q1)}$  is the switch on-resistance of external MOSFET Q1.

$D1$  is the duty cycle =  $(V_{CC} - V_{IN}) / V_{CC}$ .

$I_{L1}$  is the input current. The typical value is 2A for MR16 application.

$\Delta I_{L1}$  is the inductor peak-peak ripple current (typically set to  $0.055 / R4$ ).

$V_{FBR}$  is the bridge rectifier forward voltage (V).

$V_{IN}$  is the supply input voltage (V).

$V_{CC}$  is the Boost output voltage (V).

$V_{CL}$  is the current limit threshold (0.125V, typ.).

$L1$  is the inductance (H).

$R4$  is the CS resistance ( $\Omega$ ).

The selected inductor must have saturation current

higher than the limit current of inductance  $L1$ . In general, the inductor saturation current should be 1.2 times the limit current of inductance  $L1$ . A  $10\mu H$  to  $22\mu H$  inductor will meet the demand of most of the RT8415 applications.

### 1<sup>st</sup> Stage Current Sense Resistor Selection

The resistor,  $R4$ , between CS and GND should be selected to provide adequate switch current to drive the application without exceeding the current limit threshold set by the CS pin sense threshold of the RT8415. The Sense resistor value can be calculated according to the following equation :

$$R4 = \frac{V_{CL}}{I_{L1\_LIMIT}}$$

Where

$V_{CL}$  is the current limit threshold (0.125V, typ.).

$I_{L1\_LIMIT}$  is the limit current of first inductor.

### Diode Selection

To obtain better efficiency, the Schottky diode is recommended for its low reverse leakage current, low recovery time and low forward voltage. With its low power dissipation, the Schottky diode outperforms other silicon diodes and increases overall efficiency.

### Input Capacitor selection

Input capacitor has to supply peak current to the inductor and flatten the current ripple on the input. The low ESR condition is required to avoid increasing power loss. The ceramic capacitor is recommended due to its excellent high frequency characteristic and low ESR, which is suitable for the RT8415. For maximum stability over the entire operating temperature range, capacitors with better dielectric are suggested.

### Thermal Protection

A thermal protection feature is to protect the RT8415 from excessive heat damage. When the junction temperature exceeds  $150^{\circ}C$ , the thermal protection will turn off the GATE1 and LX2 terminals. When the junction temperature drops below  $125^{\circ}C$ , the RT8415 will turn on the GATE1 and LX2 terminals terminal and return to normal operation.

**Thermal Considerations**

The junction temperature should never exceed the absolute maximum junction temperature  $T_{J(MAX)}$ , listed under Absolute Maximum Ratings, to avoid permanent damage to the device. The maximum allowable power dissipation depends on the thermal resistance of the IC package, the PCB layout, the rate of surrounding airflow, and the difference between the junction and ambient temperatures. The maximum power dissipation can be calculated using the following formula :

$$P_{D(MAX)} = (T_{J(MAX)} - T_A) / \theta_{JA}$$

where  $T_{J(MAX)}$  is the maximum junction temperature,  $T_A$  is the ambient temperature, and  $\theta_{JA}$  is the junction-to-ambient thermal resistance.

For continuous operation, the maximum operating junction temperature indicated under Recommended Operating Conditions is 125°C. The junction-to-ambient thermal resistance,  $\theta_{JA}$ , is highly package dependent. For a SOP-8 (Exposed Pad) package, the thermal resistance,  $\theta_{JA}$ , is 40.6°C/W on a standard JEDEC low effective-thermal-conductivity two-layer test board. The maximum power dissipation at  $T_A = 25^\circ\text{C}$  can be calculated as below :

$$P_{D(MAX)} = (125^\circ\text{C} - 25^\circ\text{C}) / (40.6^\circ\text{C/W}) = 2.46\text{W for a SOP-8 (Exposed Pad) package.}$$

The maximum power dissipation depends on the operating ambient temperature for the fixed  $T_{J(MAX)}$  and the thermal resistance,  $\theta_{JA}$ . The derating curves in Figure 1 allows the designer to see the effect of rising ambient temperature on the maximum power dissipation.

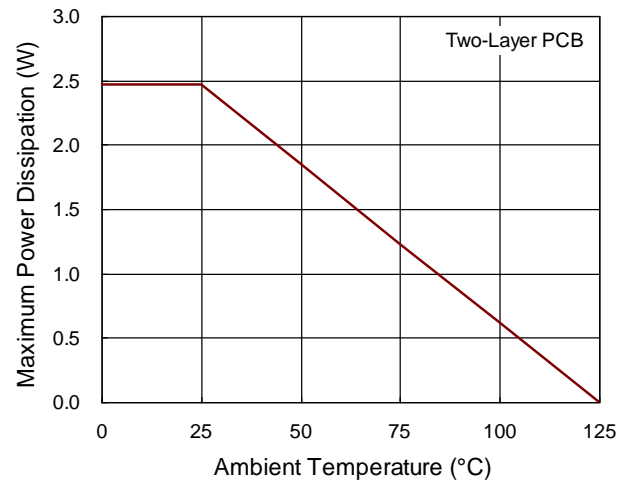


Figure 1. Derating Curve of Maximum Power Dissipation

**Layout Consideration**

PCB layout is very important to design power switching converter circuits. Some recommended layout guidelines are suggested as follows :

- ▶ The power components L1, D5, Q1, C<sub>IN</sub>, and C<sub>OUT</sub> must be placed as close to each other as possible to reduce the ac current loop area. The power components L2, D6, and LX2 pin of device must be placed as close to each other as possible to reduce the ac current loop area. The PCB trace between power components must be as short and wide as possible due to large current flow through these traces during operation.
- ▶ The capacitor C<sub>OUT</sub>, C5 and external resistor, R<sub>SENSE</sub>, must be placed as close as possible to the VCC and ISN pins of the device respectively.
- ▶ The GND should be connected to a strong ground plane.
- ▶ Keep the main current traces as short and wide as possible.

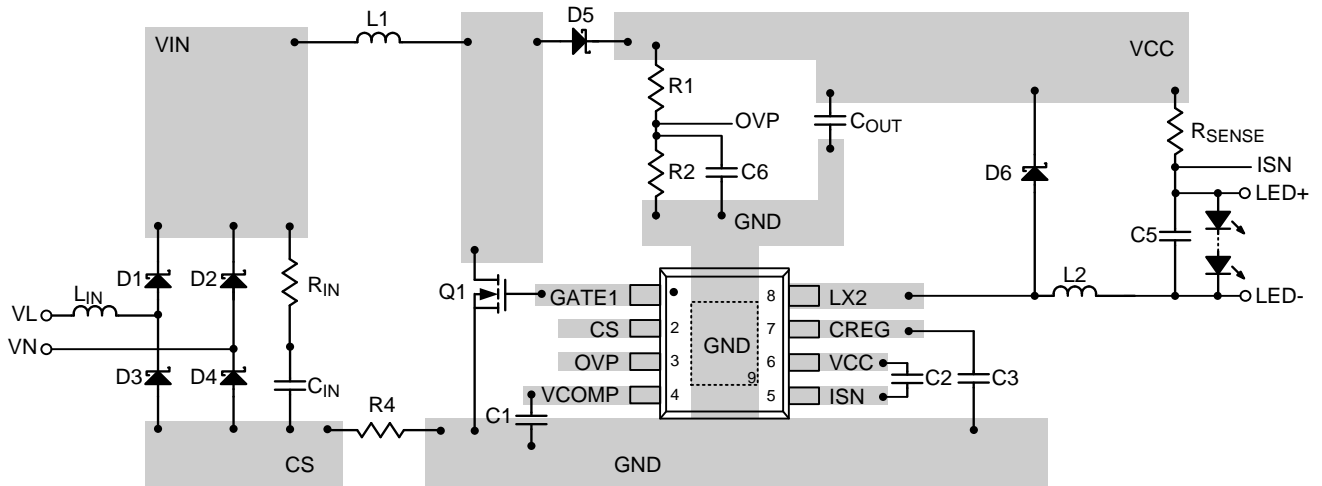
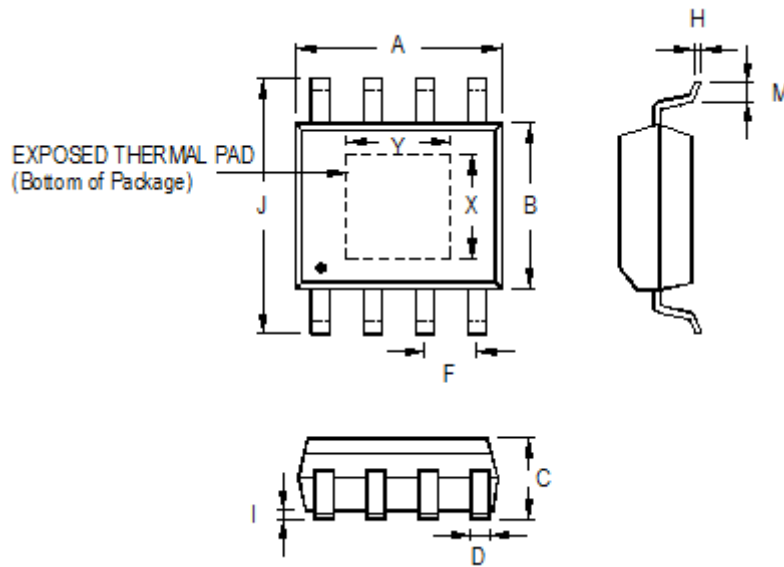


Figure 2. PCB Layout Guide

**Outline Dimension**



Symbol	Dimensions In Millimeters		Dimensions In Inches		
	Min	Max	Min	Max	
A	4.801	5.004	0.189	0.197	
B	3.810	4.000	0.150	0.157	
C	1.346	1.753	0.053	0.069	
D	0.330	0.510	0.013	0.020	
F	1.194	1.346	0.047	0.053	
H	0.170	0.254	0.007	0.010	
I	0.000	0.152	0.000	0.006	
J	5.791	6.200	0.228	0.244	
M	0.406	1.270	0.016	0.050	
Option 1	X	2.000	2.300	0.079	0.091
	Y	2.000	2.300	0.079	0.091
Option 2	X	2.100	2.500	0.083	0.098
	Y	3.000	3.500	0.118	0.138

**8-Lead SOP (Exposed Pad) Plastic Package**

**Richtek Technology Corporation**

14F, No. 8, Tai Yuen 1<sup>st</sup> Street, Chupei City  
 Hsinchu, Taiwan, R.O.C.  
 Tel: (8863)5526789

Richtek products are sold by description only. Richtek reserves the right to change the circuitry and/or specifications without notice at any time. Customers should obtain the latest relevant information and data sheets before placing orders and should verify that such information is current and complete. Richtek cannot assume responsibility for use of any circuitry other than circuitry entirely embodied in a Richtek product. Information furnished by Richtek is believed to be accurate and reliable. However, no responsibility is assumed by Richtek or its subsidiaries for its use; nor for any infringements of patents or other rights of third parties which may result from its use. No license is granted by implication or otherwise under any patent or patent rights of Richtek or its subsidiaries.

Copyright © 2016 Richtek Technology Corporation. All rights reserved **RICHTEK** is a registered trademark of Richtek Technology Corporation.