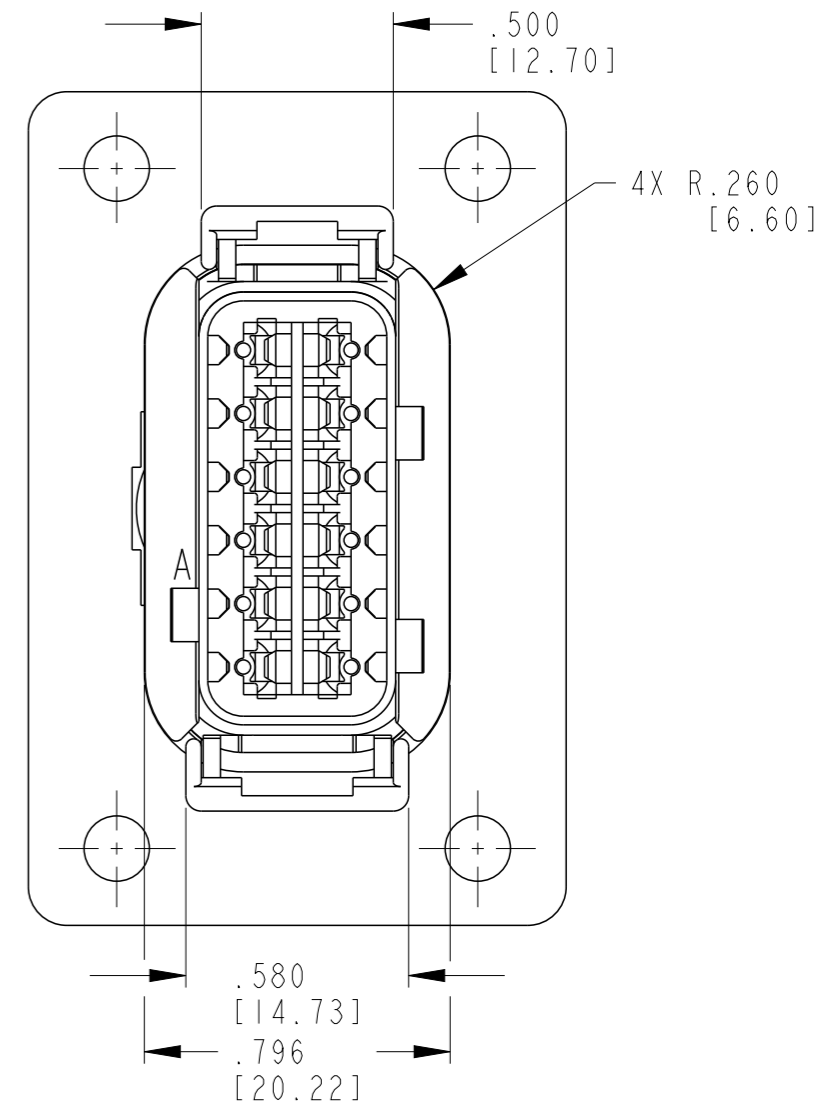
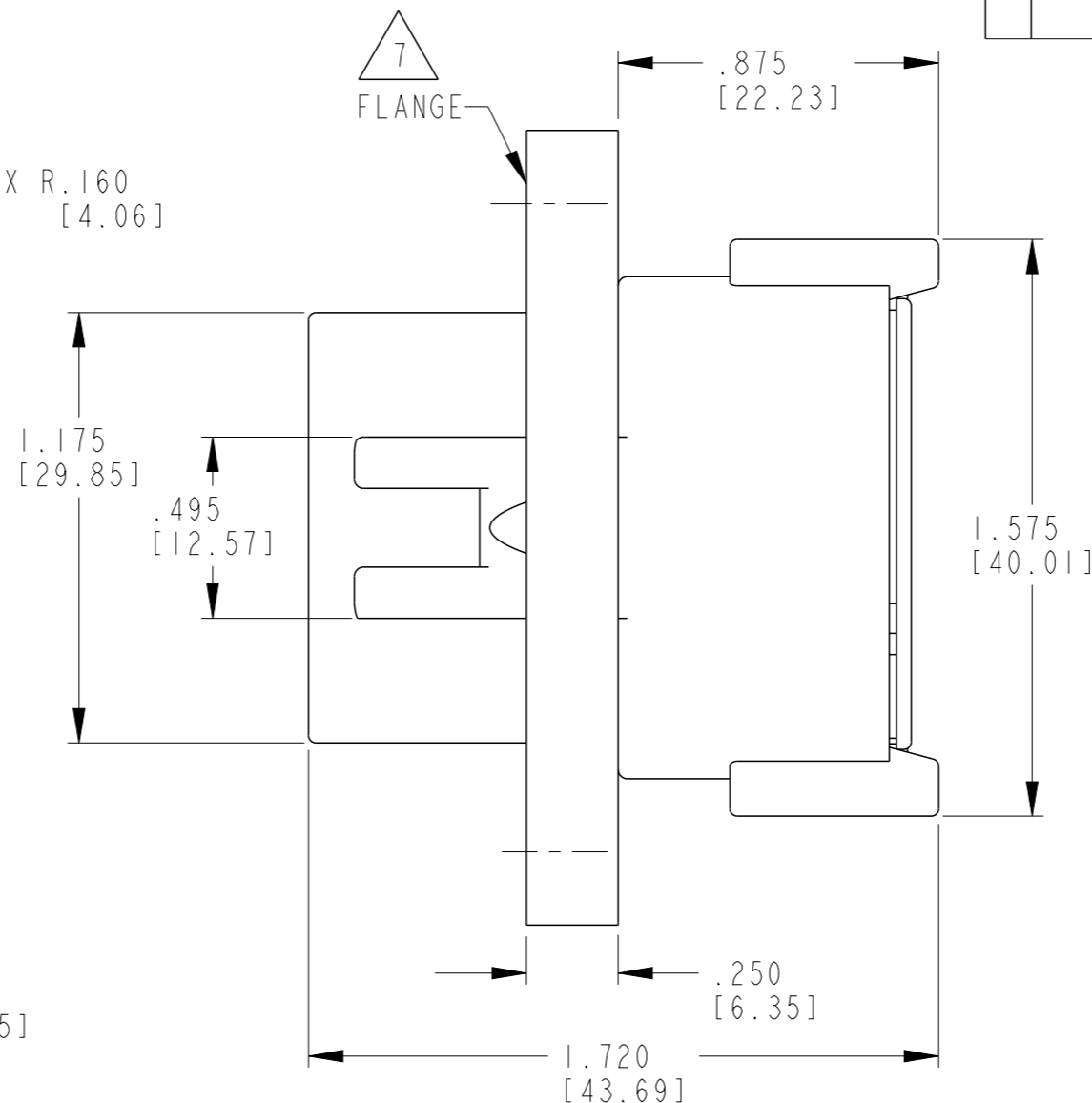
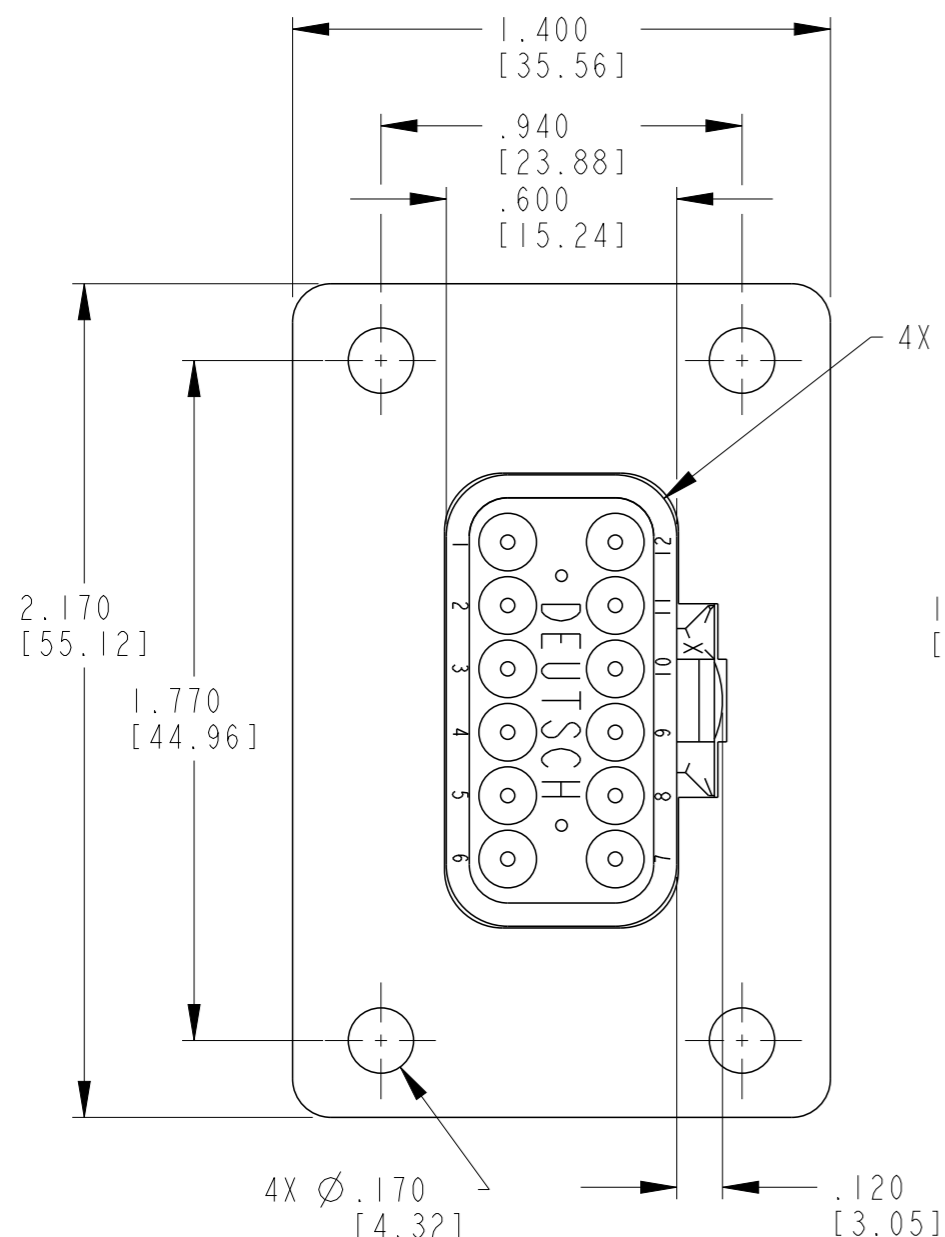


LOC		DIST		REVISIONS			
P	LTR	DESCRIPTION	DATE	DWN	APVD		
	A	NEW RELEASE PER ECO-13-019760	16DEC2013	AM	DM		
	A1	REVISED PER ECO-14-016221	27OCT2014	JA	DM		
	B	REVISED PER ECO-16-000716	20NOV2015	VNB	DM		



7 PART MODIFICATION.

- 6. RECOMMENDED SCREW: 6-32 [M4]. TORQUE: 20-25 IN-LB [2.26-2.82 Nm].
- 5. SEE SHEET 2 FOR OTHER KEY ARRANGEMENTS.

4 MATERIAL - HOUSING/FLANGE: NYLON 6/6 15% GF; GROMMET: VMQ.

3. THIS RECEPTACLE MATES WITH DTM06-12SX-XXXX PLUG. (X = A,B,C,D KEYS; XXXX = ALL MODIFICATIONS)

2 FOR CONTACT AND WIRE PERFORMANCE AND APPLICATION CHARACTERISTICS SEE ENVELOPE DRAWING 0425-015-0000.

1. SECONDARY WEDGE LOCK SOLD SEPARATELY: WM-12P.

NOTES: UNLESS OTHERWISE SPECIFIED

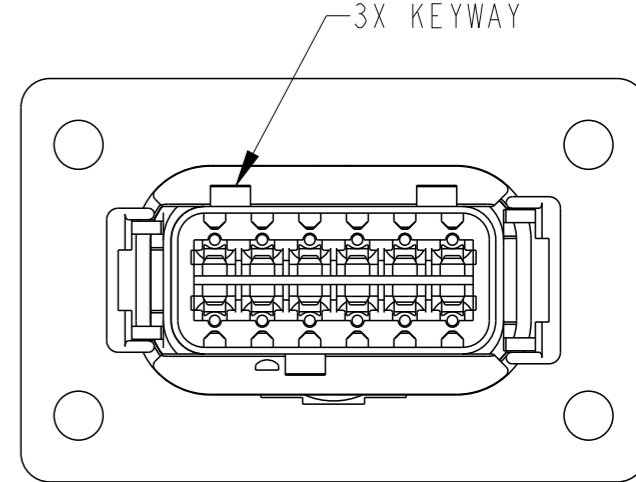
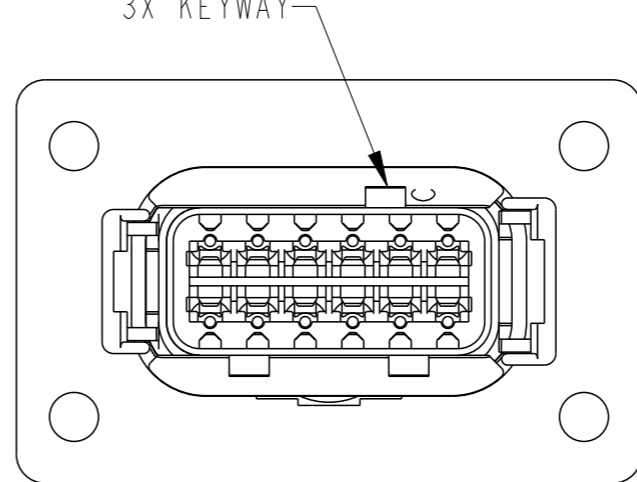
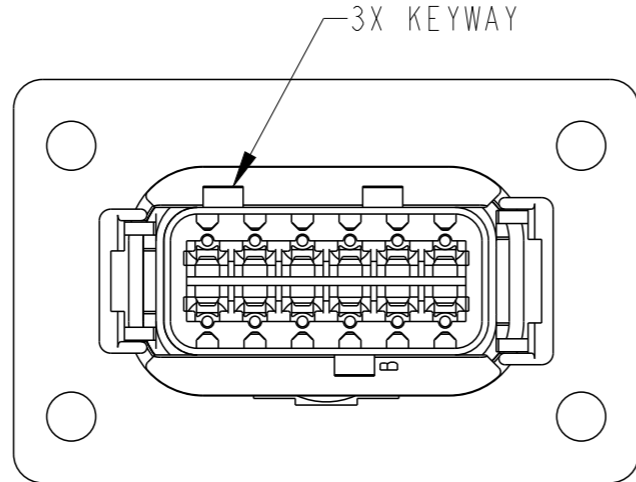
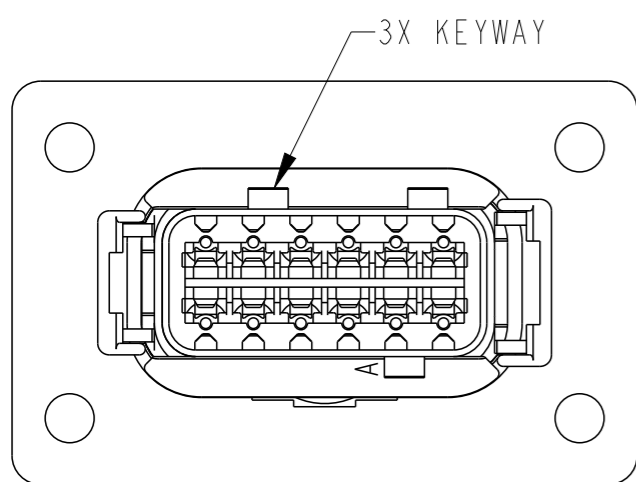
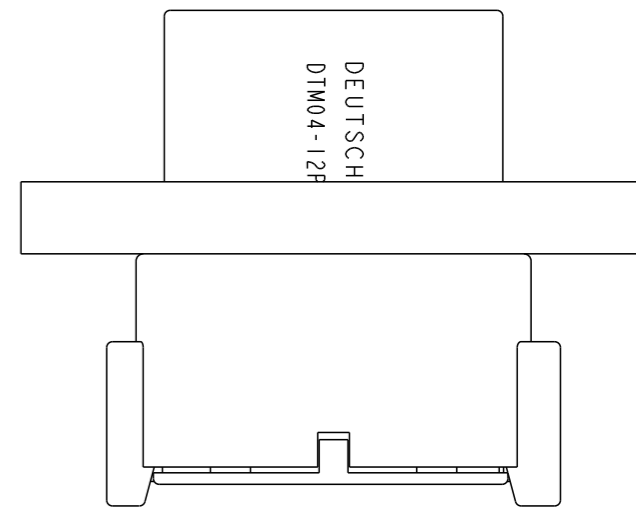
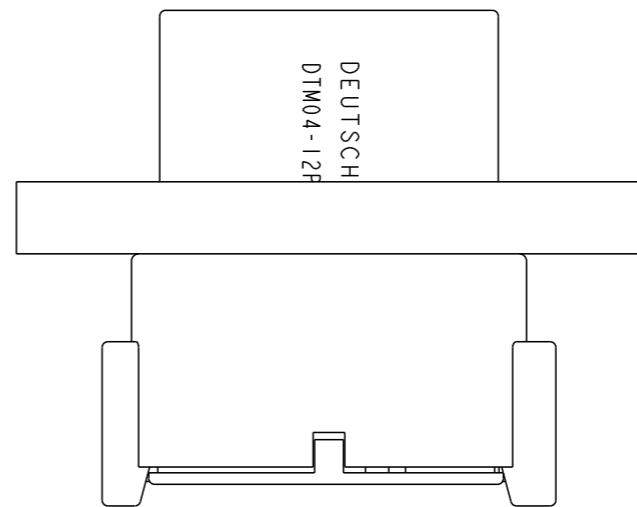
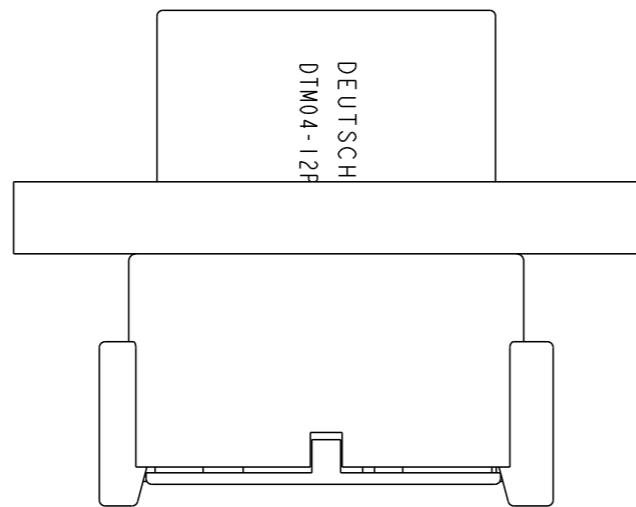
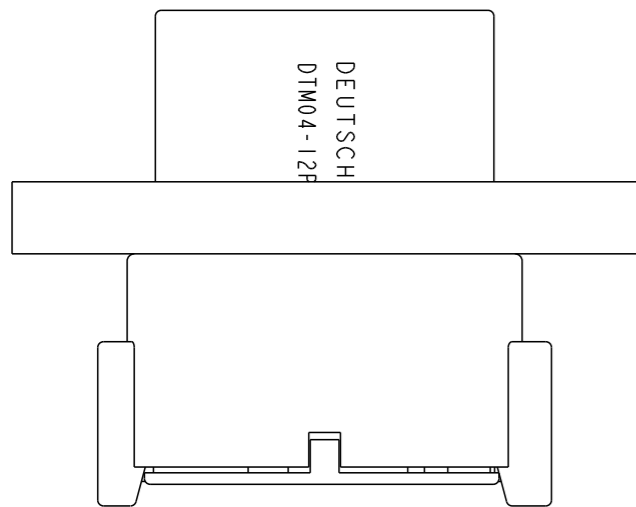
CONTACT SIZE	MIN. INSUL. O.D.	MAX. INSUL. O.D.	WIRE RANGE [mm ²] REF ONLY
20	.053 [1.35]	.120 [3.05]	16-20 AWG [1.0-0.5]

8. GASKET PN DT12-L012-GKT MAY BE USED WITH THIS APPLICATION AT MOUNTING PANEL.

TE INTERNAL PN	DEUTSCH PN
DTM04-12PA-L012	DTM04-12PA-L012
DTM04-12PB-L012	DTM04-12PB-L012
DTM04-12PC-L012	DTM04-12PC-L012
DTM04-12PD-L012	DTM04-12PD-L012

THIS DRAWING IS A CONTROLLED DOCUMENT.		DWN 21NOV2013 A. MALAGON			
DIMENSIONS: INCHES [mm]		CHK 27OCT2014 BOB MILLIGAN			
TOLERANCES UNLESS OTHERWISE SPECIFIED:		APVD 27OCT2014 DAVID MEYER		NAME RECPTACLE, 12 SIZE #20 CONTACTS DTM SERIES -L012 MOD	
0 PLC ±		PRODUCT SPEC 0425-015-0000		SIZE A3	
1 PLC ±		APPLICATION SPEC 0425-015-0000		CAGE CODE 4AFU8	
2 PLC ±		WEIGHT 23.25g		DRAWING NO DTM04-12PX-L012	
3 PLC ±.015 [0.38]		Customer Drawing		RESTRICTED TO -	
4 PLC ±		SCALE 2:1		SHEET 1 OF 3	
4 ANGLES ± ±0°30'0"		REV B			
FINISH -					

LOC	DIST	REVISIONS			
P	LTR	DESCRIPTION	DATE	DWN	APVD
		SEE SHEET 1	-	-	-



DTM04-12PA-L012
KEY -A-
COLOR: GREY

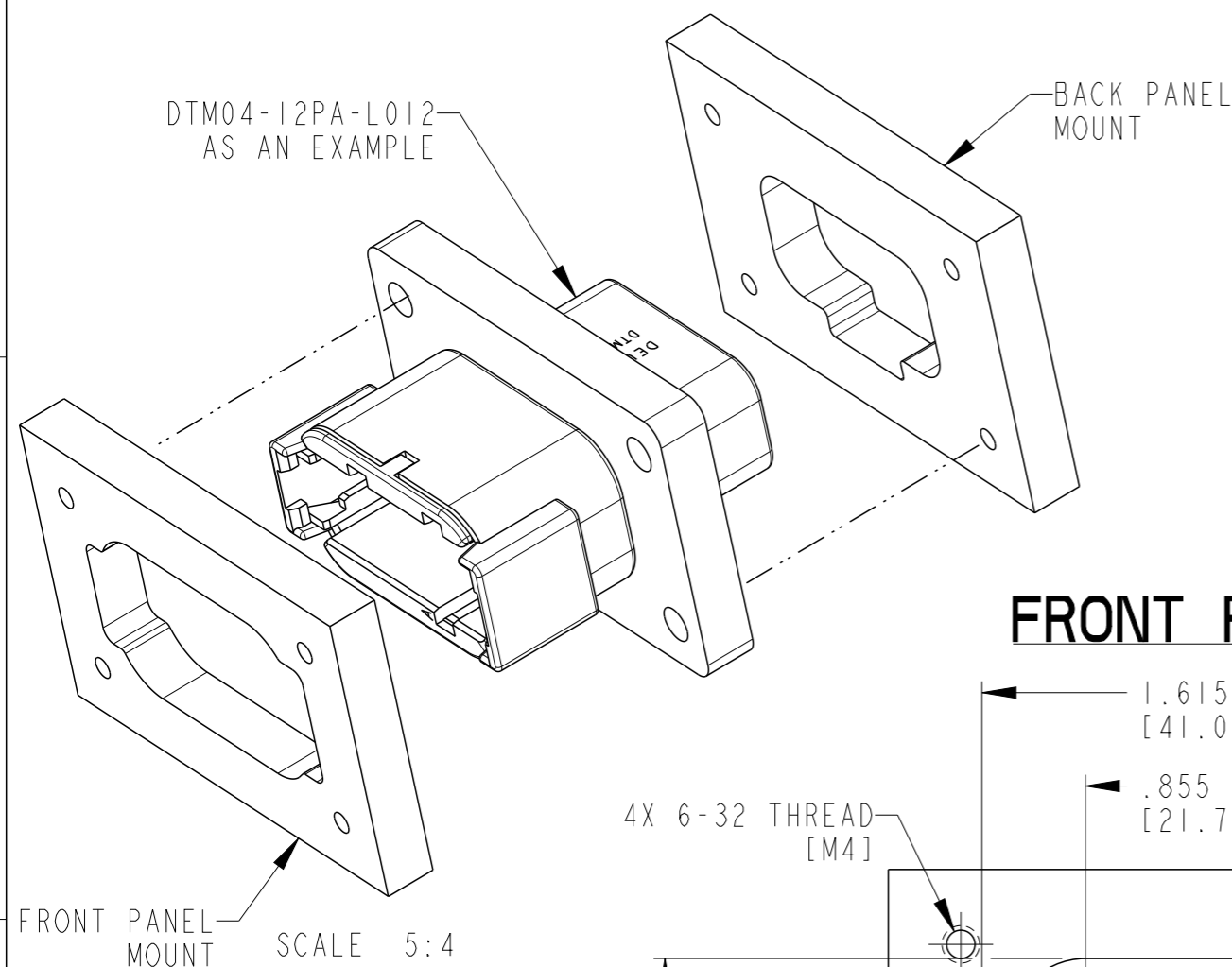
DTM04-12PB-L012
KEY -B-
COLOR: BLACK

DTM04-12PC-L012
KEY -C-
COLOR: GREEN

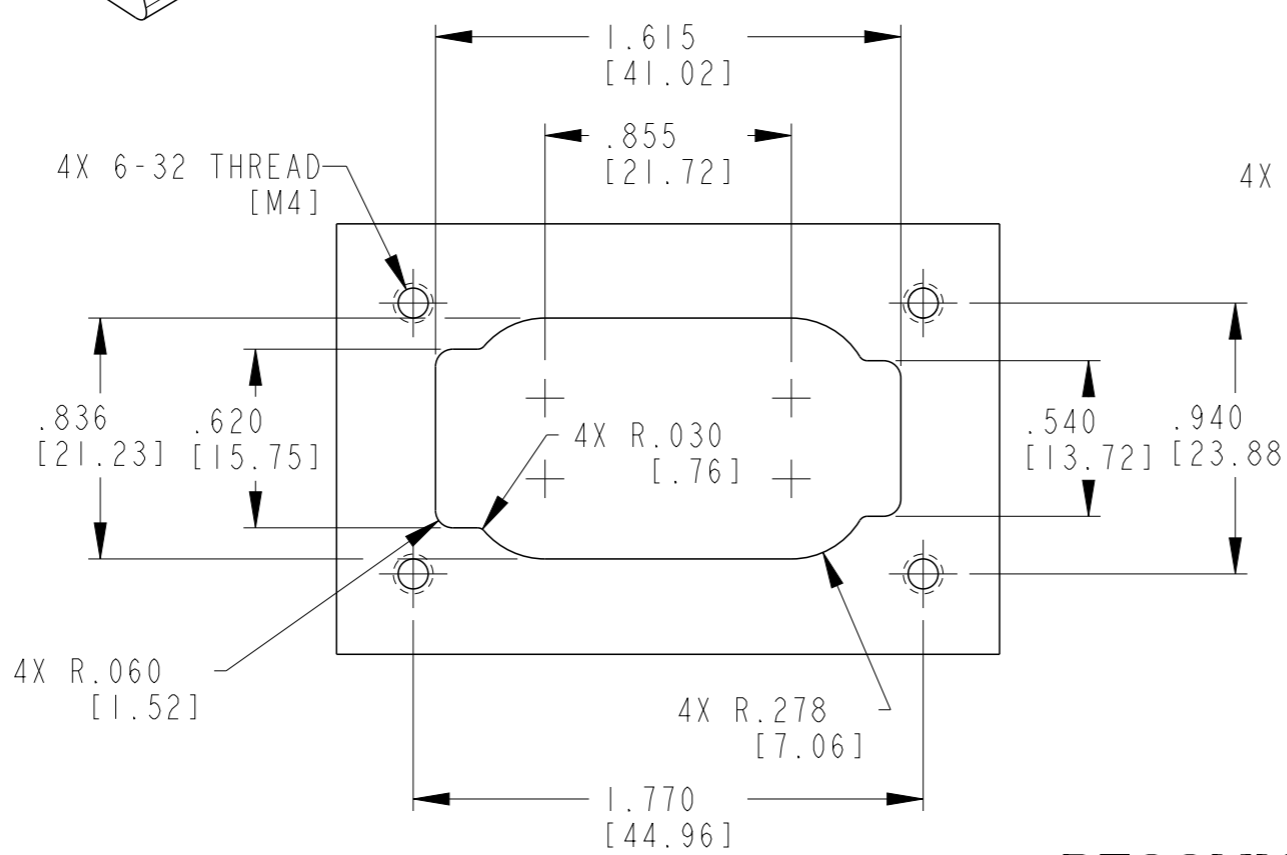
DTM04-12PD-L012
KEY -D-
COLOR: BROWN

THIS DRAWING IS A CONTROLLED DOCUMENT.		DWN A. MALAGON 21NOV2013					
DIMENSIONS: INCHES [mm]		CHK BOB MILLIGAN 27OCT2014					
TOLERANCES UNLESS OTHERWISE SPECIFIED:		APVD DAVID MEYER 27OCT2014	NAME RECTACLE, 12 SIZE #20 CONTACTS DTM SERIES -L012 MOD				
0 PLC ± 1 PLC ± 2 PLC ± 3 PLC ±.015 [0.38] 4 PLC ± ANGLES ±0°30'0"		PRODUCT SPEC 0425-015-0000	SIZE A3	CAGE CODE 4AFU8	DRAWING NO DTM04-12PX-L012	RESTRICTED TO -	
MATERIAL 4		FINISH -	APPLIC. SPEC 0425-015-0000	WEIGHT 23.25g	SCALE 2:1	SHEET 2 OF 3	REV B
		Customer Drawing					

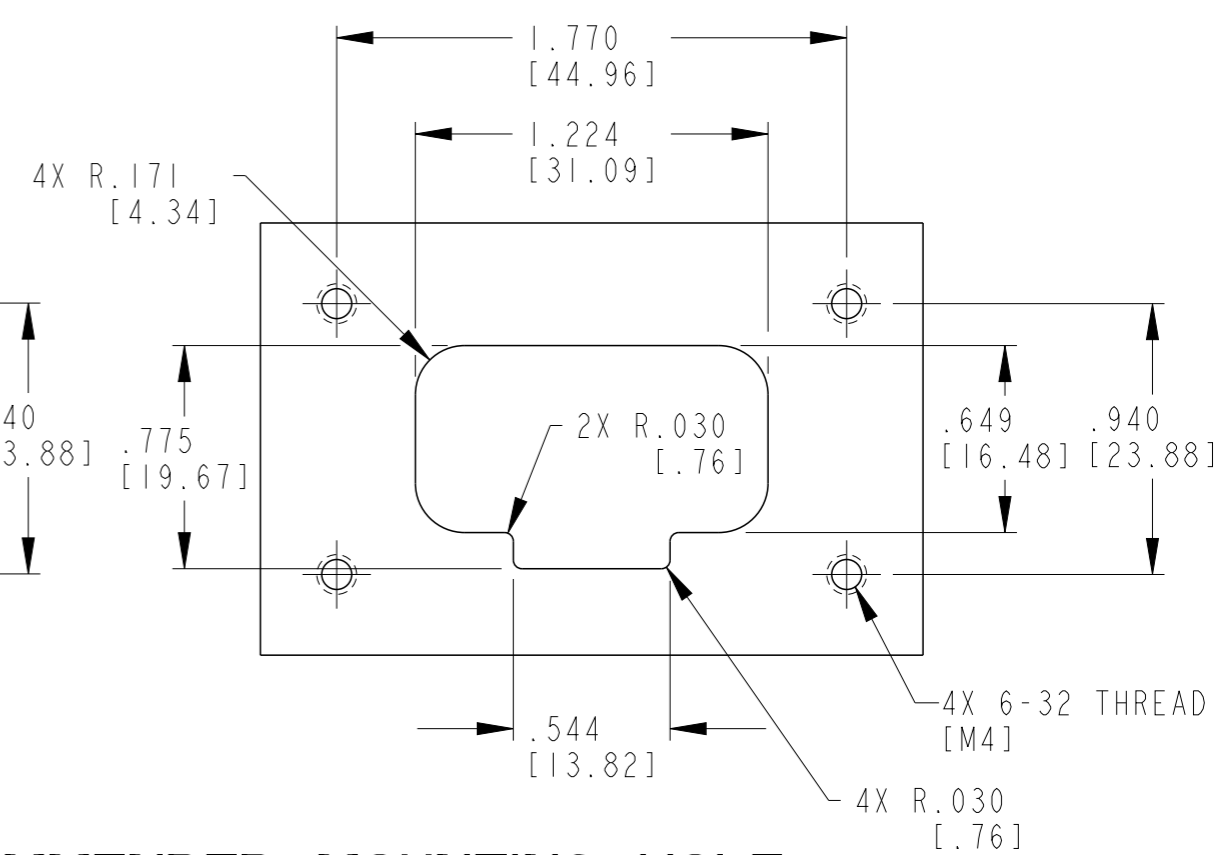
LOC	DIST	REVISIONS					
		P	LTR	DESCRIPTION	DATE	DWN	APVD
		-		SEE SHEET 1	-	-	-



FRONT PANEL



BACK PANEL



RECOMMENDED MOUNTING HOLE

THIS DRAWING IS A CONTROLLED DOCUMENT.		DWN A. MALAGON 21NOV2013																
DIMENSIONS: INCHES [mm]		CHK BOB MILLIGAN 27OCT2014																
TOLERANCES UNLESS OTHERWISE SPECIFIED:		APVD DAVID MEYER 27OCT2014	NAME RECTACLE, 12 SIZE #20 CONTACTS DTM SERIES -L012 MOD															
<table border="0"> <tr><td>0 PLC</td><td>±</td></tr> <tr><td>1 PLC</td><td>±</td></tr> <tr><td>2 PLC</td><td>±</td></tr> <tr><td>3 PLC</td><td>±.015 [0.38]</td></tr> <tr><td>4 PLC</td><td>±</td></tr> <tr><td>ANGLES</td><td>±0°30'0"</td></tr> </table>		0 PLC	±	1 PLC	±	2 PLC	±	3 PLC	±.015 [0.38]	4 PLC	±	ANGLES	±0°30'0"	PRODUCT SPEC 0425-015-0000	SIZE A3	CAGE CODE 4AFU8	DRAWING NO DTM04-12PX-L012	RESTRICTED TO -
0 PLC	±																	
1 PLC	±																	
2 PLC	±																	
3 PLC	±.015 [0.38]																	
4 PLC	±																	
ANGLES	±0°30'0"																	
MATERIAL 4		FINISH -	WEIGHT 23.25g	SCALE 2:1	SHEET 3 OF 3	REV B												
		Customer Drawing																