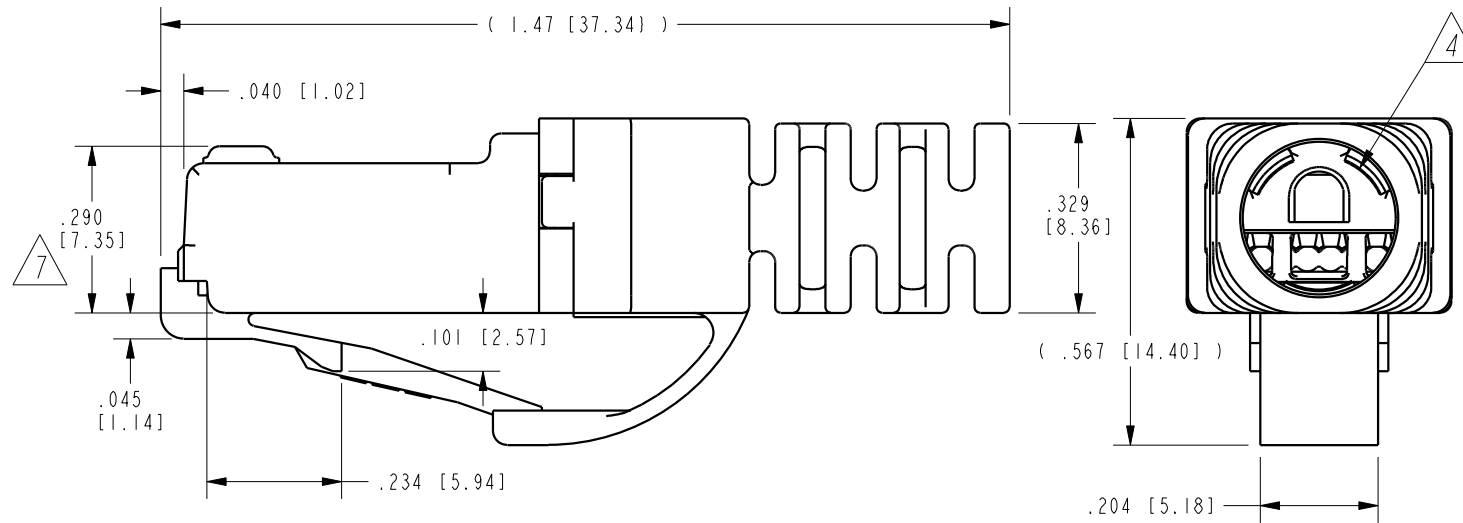
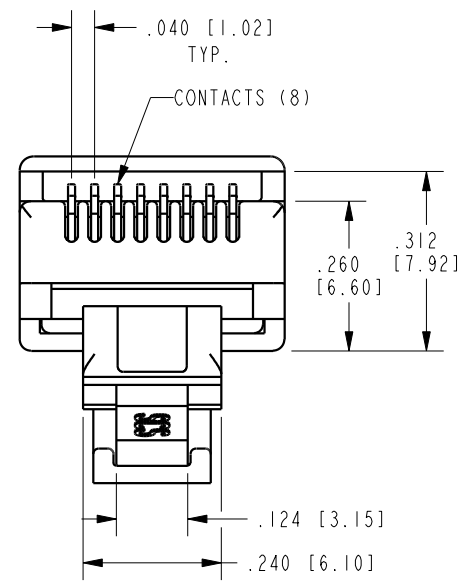
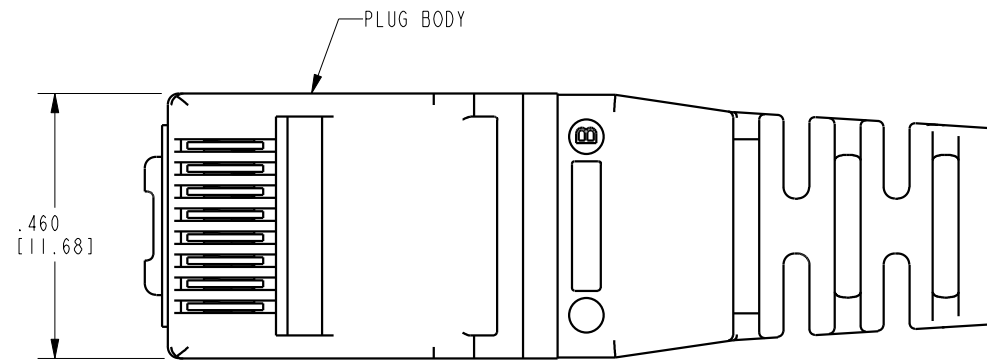
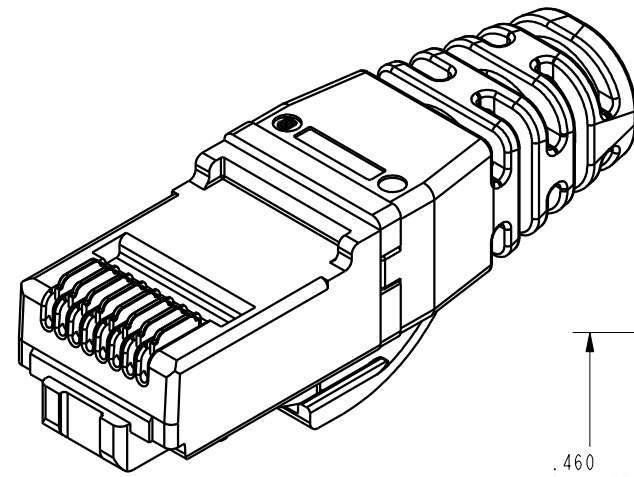


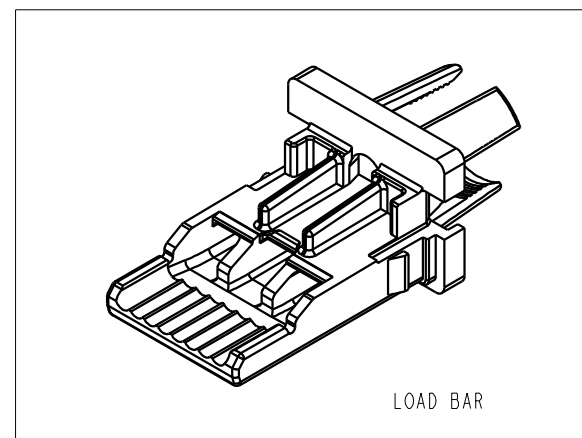
DATE	REV.	ECN	APP'D BY
1-23-06	B2	7441	JM
4-25-06	B3	7598	TRM
5-30-12	B4	9480	SMN
2-17-15	B5	10258	ADB



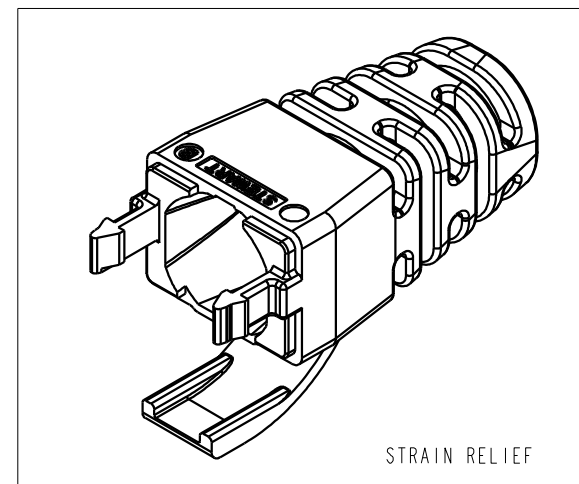
NOTES:

- PLUG KIT CONSISTS OF:  
PRE-INSERTED PLUG BODY  
LOAD BAR  
STRAIN RELIEF
- MATERIALS:  
PLUG BODY: CLEAR POLYCARBONATE, UL 94-V0  
LOAD BAR: CLEAR POLYCARBONATE, UL 94-V0  
STRAIN RELIEF: CLEAR POLYCARBONATE, UL 94-V0  
CONTACTS: COPPER ALLOY, SELECTIVE GOLD PLATING
- CONTACTS TERMINATE SOLID OR STRANDED CONDUCTORS BETWEEN .037 [0.94] TO .042 [1.07] OUTSIDE DIAMETER OF INSULATION.
- STRAIN RELIEF IS FOR CABLES WITH OUTSIDE DIAMETERS OF .240 [6.10] TO .250 [6.35].
- PLUG SPECIFICATION: FOR CATEGORY 6 APPLICATIONS.
- DIMENSIONS AND TOLERANCES COMPLY WITH TIA-1096 STANDARD.
- TERMINATED PLUG HEIGHT: .237 [6.02] ±.005 [0.13].
- FOR PRODUCT SPECIFICATION SEE PR026-01.

BULK	50 MICRO-INCHES [1.27um]	SS-39100-011
PACKAGE	CONTACT PLATING IN MATING AREA	PART NUMBER



LOAD BAR

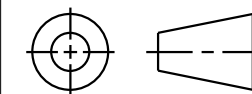


STRAIN RELIEF

RoHS



THIRD ANGLE PROJECTION



11118 Susquehanna Trail South  
Glen Rock, PA 17327-9199  
(717) 235-7512

<http://www.stewartconnector.com>

DO NOT SCALE DRAWING

DRAWING IS SUBJECT TO CHANGE WITHOUT NOTICE

DIMENSIONS: INCHES [METRIC]

UNLESS OTHERWISE SPECIFIED TOLERANCES ARE ±.005 [0.13] ANGLES ARE ±1°

SHEET NO. 1 OF 1

TITLE: 8 POSITION/8 CONDUCTOR CAT6/6A UNSHIELDED PLUG, LOAD BAR & STRAIN ASS'Y. (ANTI-SNAG VERSION)

THIS DRAWING AND THE SUBJECT MATTER SHOWN THEREON ARE CONFIDENTIAL AND THE PROPRIETARY PROPERTY OF STEWART CONNECTOR AND SHALL NOT BE REPRODUCED, COPIED, OR USED IN ANY MANNER WITHOUT PRIOR WRITTEN CONSENT OF STEWART CONNECTOR. THIS PRODUCT MAY BE PROTECTED BY ONE OR MORE OF THE FOLLOWING US PATENTS:  
5628647 6402559 6409535 6524128  
7753717 8033863  
OTHER PATENTS MAY BE PENDING.

DRN BY: TRM DATE 6-30-04

APPD BY: RGC DATE 7-23-04

DWG. NO. CT390034 REV. B5