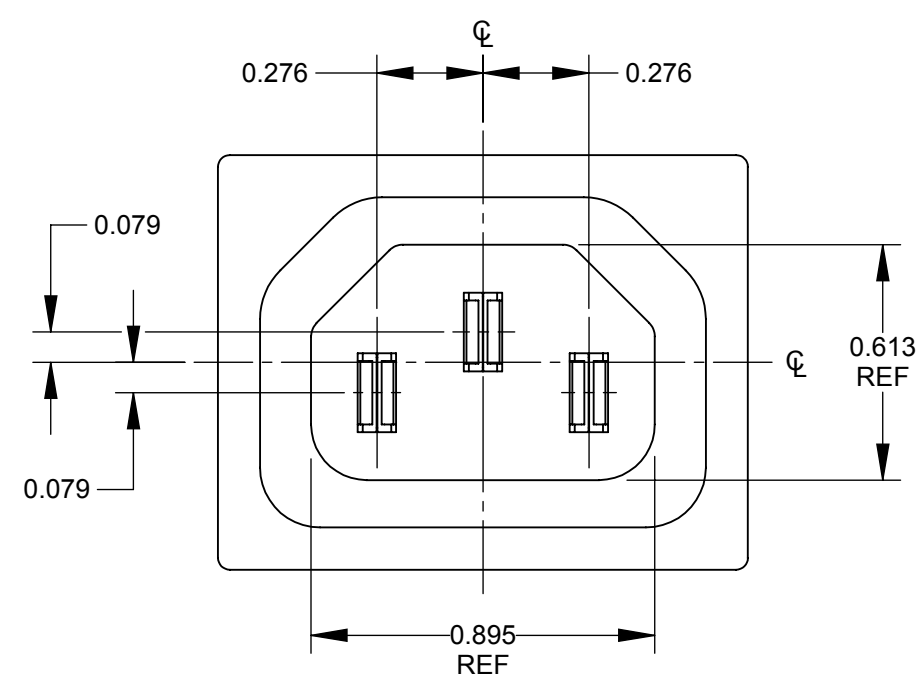
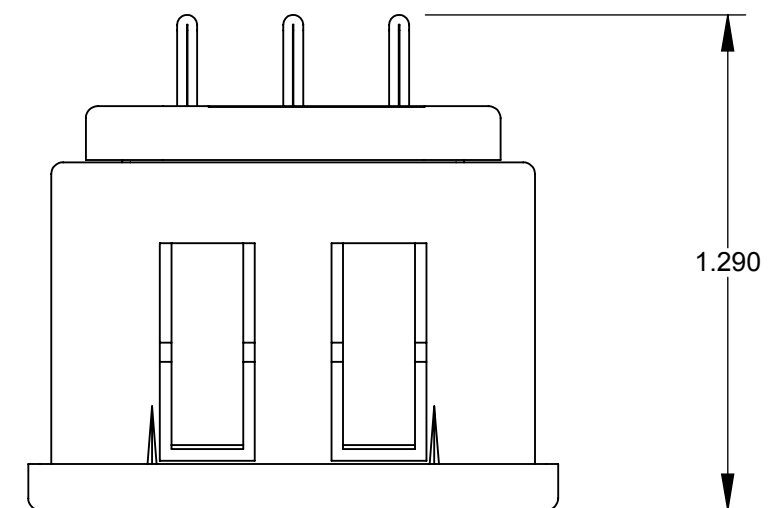
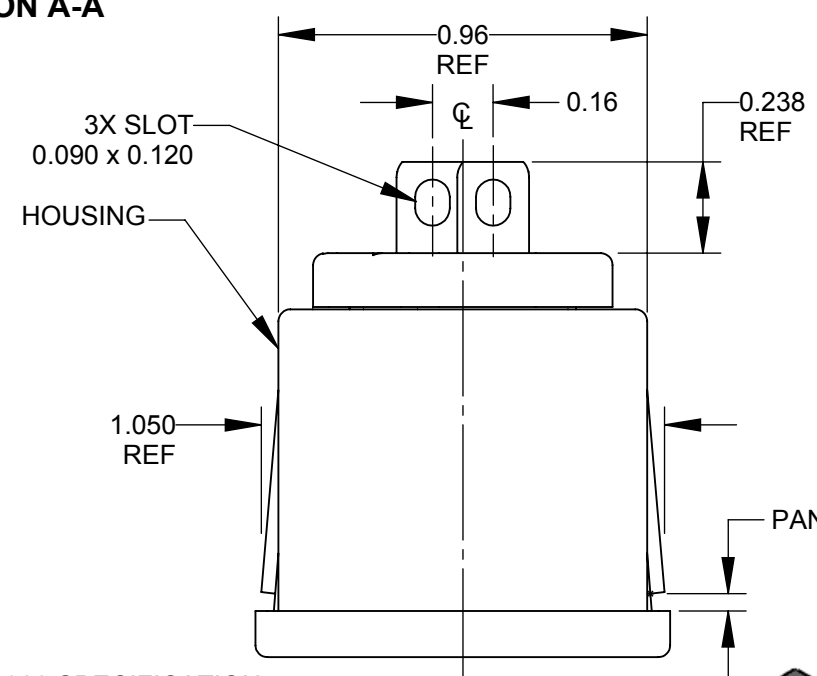
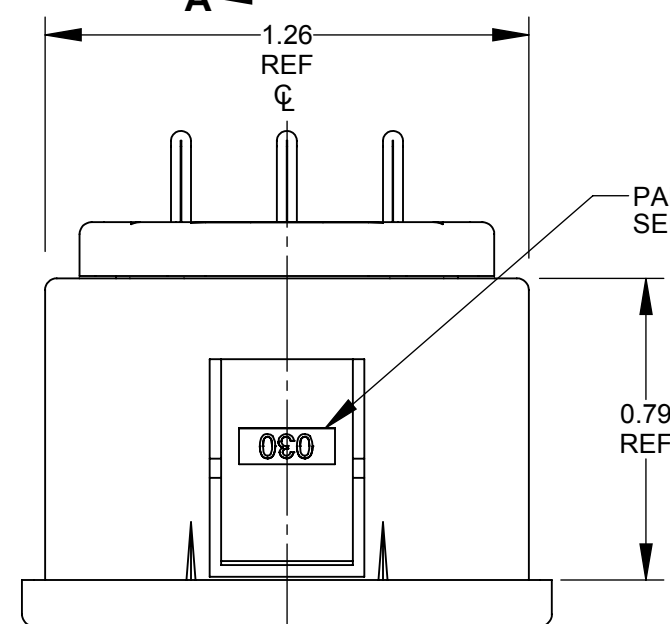
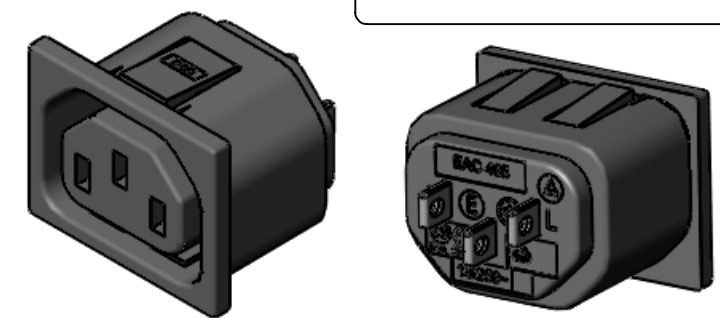


PART NUMBER	PANEL ID NUMBER	PANEL THICKNESS
EAC405030	030	0.026-0.040
EAC405040	040	0.036-0.050
EAC405050	050	0.046-0.060
EAC405060	060	0.056-0.070



**NOTES:**

1. MEETS IEC 60320 SPECIFICATION
2. AGENCY APPROVAL & RATING:  
VDE:10A, 250V AC.  
UL & CSA:15A, 250V AC.
3. MATERIALS:  
HOUSING, BLACK POLYESTER  
COVER, BLACK POLYESTER  
CONTACTS, TIN PLATED COPPER ALLOY



**CUSTOMER DRAWING**

REV	ECO NUMBER	DATE	BY	APVD
G	26912	02/16/12	BL	TJK
F	25129	03/27/02	BL	TJK
REVISIONS				

UNLESS OTHERWISE SPECIFIED

1. ALL DIMENSIONS IN INCHES

- TWO PLACE DECIMALS ±0.02

- THREE PLACE DECIMALS ±0.005

**DO NOT SCALE DRAWING**

THIS DRAWING DESCRIBES A DESIGN CONSIDERED PROPRIETARY IN NATURE, DEVELOPED AND MANUFACTURED BY SWITCHCRAFT INC. AND IS RELEASED ON A CONFIDENTIAL BASIS FOR IDENTIFICATION PURPOSES ONLY.										
SIZE	WIDTH	MULT	LBS/M	TEMPER						
FINISH SPEC No.					MATERIAL SPEC No.					
FIRST USED ON					SCALE 2:1					
DATE DRAWN	BY	CHKD	APVD							
11/03/86	LH	AM	RP							
			11/17/86	05/06/87						
NAME			SNAP-IN FEMALE RECEPTACLE			PART No.		EAC405 SERIES		REV
										<b>G</b>