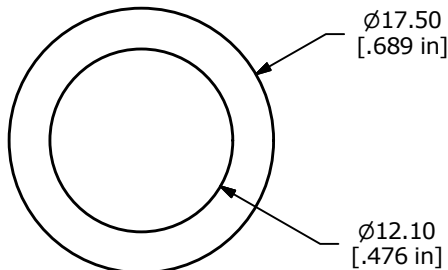
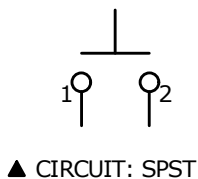


PANEL MOUNTING
MAX. PANEL THICKNESS 4mm



SWITCH FUNCTION	
POS. 1	POS. 2
OFF	(ON)
OPEN	1-2

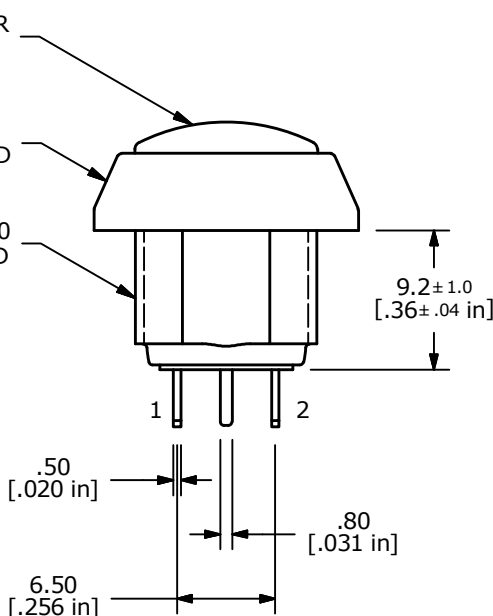
(ON) = MOMENTARY



▲ DOMED ACTUATOR
COLOR: RED

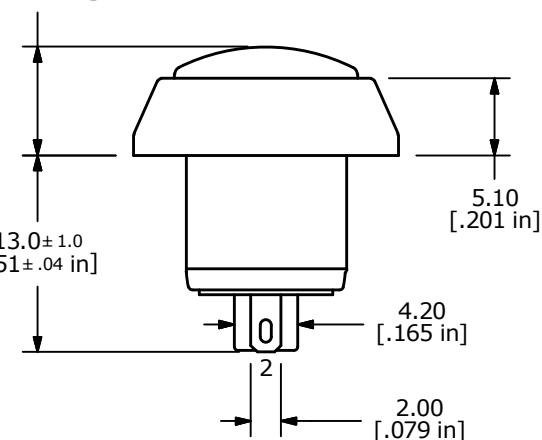
▲ BODY COLOR:
BLACK ANODIZED

M12x1.0
THREAD



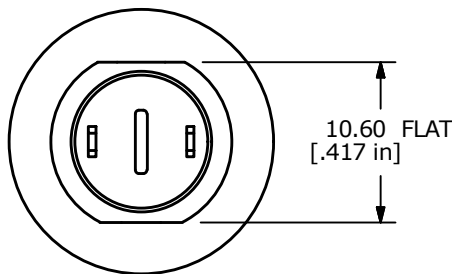
7.2 ± 1.0
[.28 ± .04 in]

13.0 ± 1.0
[.51 ± .04 in]



NOTE:

1. ALL DIMENSIONS IN MM [INCH]
2. GENERAL TOLERANCE: X.X=±0.4
X.XX=±0.25
3. TERMINAL NUMBERS FOR REF ONLY
4. CONTACT MATERIAL: SILVER
5. RATING: 2A @ 36 VDC
6. ELECTRICAL LIFE: 200,000 CYCLES
7. CONTACT RESISTANCE: 50 mΩ MAX. @ 1A 12VDC (INITIAL)
8. INSULATION RESISTANCE: 1,000 MΩ MIN. @ 500VDC.
9. DIELECTRIC STRENGTH: 2,000 VAC rms.
10. OPERATING TEMPERATURE: -20°C TO +70°C.
11. PANEL THICKNESS MAX: 4.0 mm.
12. INGRESS PROTECTION: IP65
13. ▲ DENOTES CRITICAL PARAMETER.
14. 2011/65/EU (ROHS) COMPLIANT
15. ▲ HARDWARE INCLUDED, 1 O-RING & 1 HEX NUT.(NOT SHOWN)



B	22667	UPDATED FLAT ALIGNMENT	1/9/17	MJR
A	20901	RELEASE FOR PRODUCTION	12/3/12	EBP
REV	PCR NO	DESCRIPTION	DATE	BY

TITLE PV5S24019				
SCALE	DATE	DR	DWG	REV
2:1	12/3/2012	EBP	52-PV5S24019	B

THE INFORMATION CONTAINED IN THIS DOCUMENT IS PROPRIETARY TO E-SWITCH AND IS NOT TO BE COPIED OR TRANSFERRED