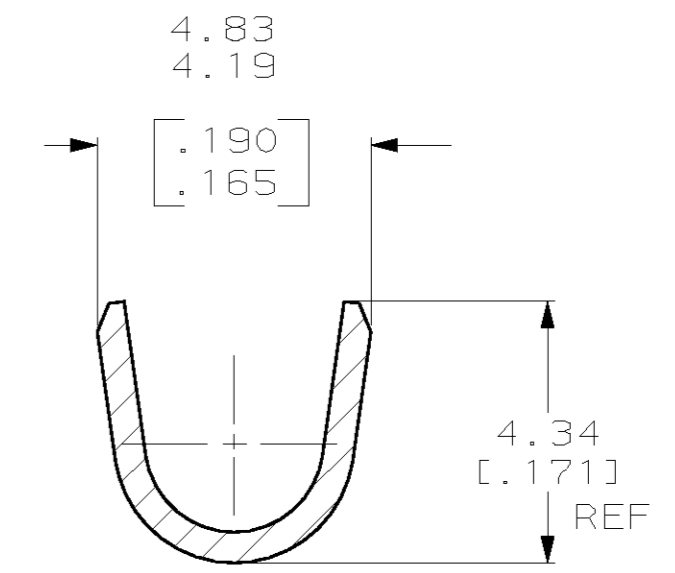
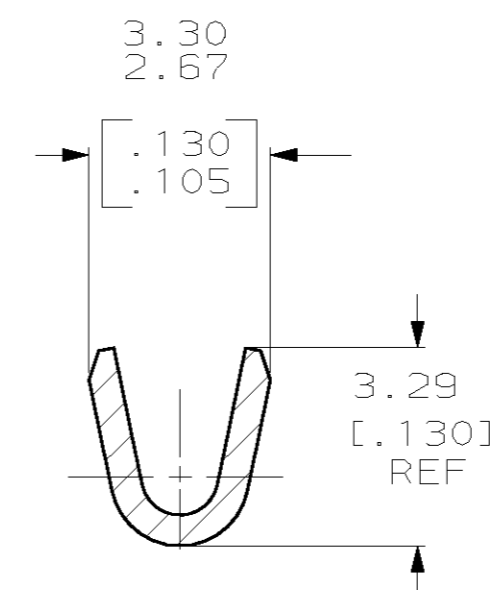
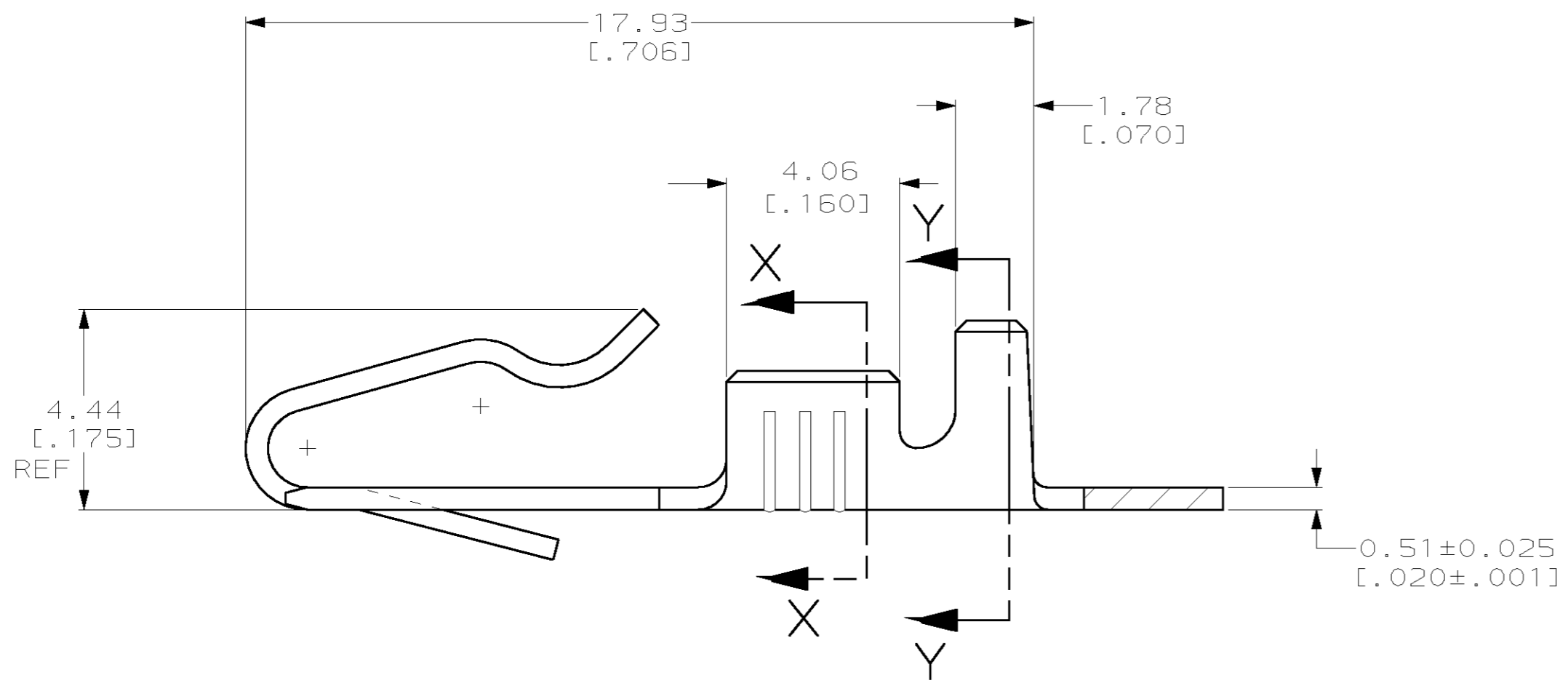
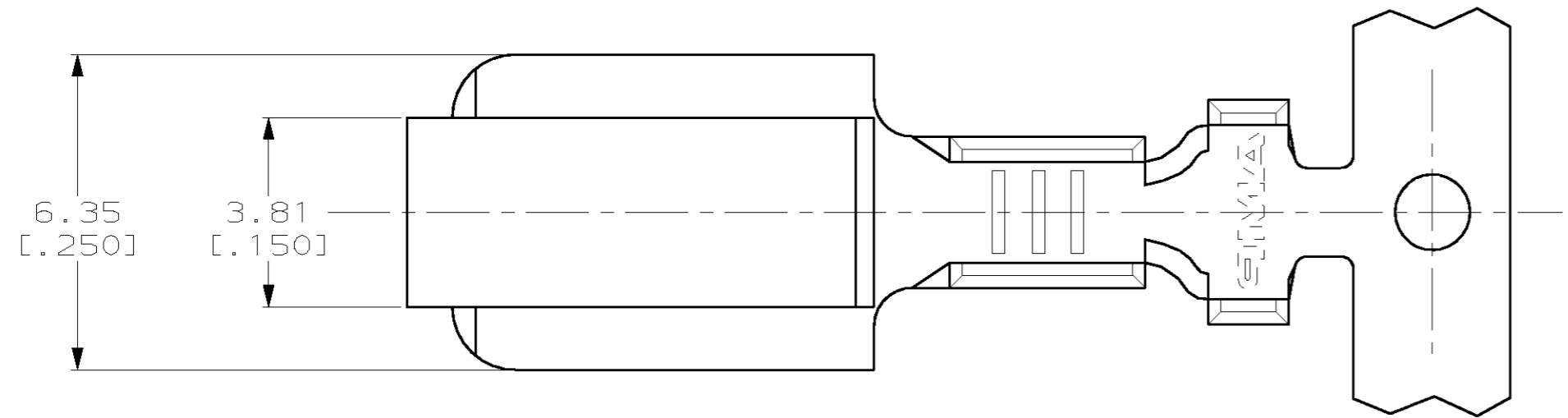


THIS DRAWING IS UNPUBLISHED. RELEASED FOR PUBLICATION .19
 © COPYRIGHT 19 BY AMP INCORPORATED. ALL RIGHTS RESERVED.

LOC		DIST		REVISIONS			
P	LTR	DESCRIPTION		DATE	DWN	APVD	
AF	50	H		REDRAWN PER 0G3A-0054-01	23JAN01	JR	DD

- 1 CONTINUOUS STRIP ON REELS, ON 11.43±0.08 [.450±.003] CENTERS.
- 2 WIRE SIZE IS [#20-#16] AWG.
- 3 INSULATION RANGE IS 3.30 [.130] MAX
- 4 REVERSE REEL OF 60805-1.



△ 60805-2
60805-1
PART NO.

THIS DRAWING IS A CONTROLLED DOCUMENT.		DWN	JR RUTH	23JAN01	AMP Incorporated Harrisburg, PA 17105-3608
DIMENSIONS: MM (INCHES)		CHK	MS FEHER	23JAN01	
TOLERANCES UNLESS OTHERWISE SPECIFIED:		APVD	D DECKER	23JAN01	
0 PLC ±- 1 PLC ±- 2 PLC ±0.25 [.010] 3 PLC ±- 4 PLC ±- ANGLES ±-		PRODUCT SPEC	NAME		
MATERIAL	H04 BRASS	FINISH	-		FLUORESCENT TUBE SOCKET TERMINAL
-		WEIGHT	-		SIZE
-		CUSTOMER DRAWING		SCALE	8:1
-		SHEET		1	OF
-		REV		H	