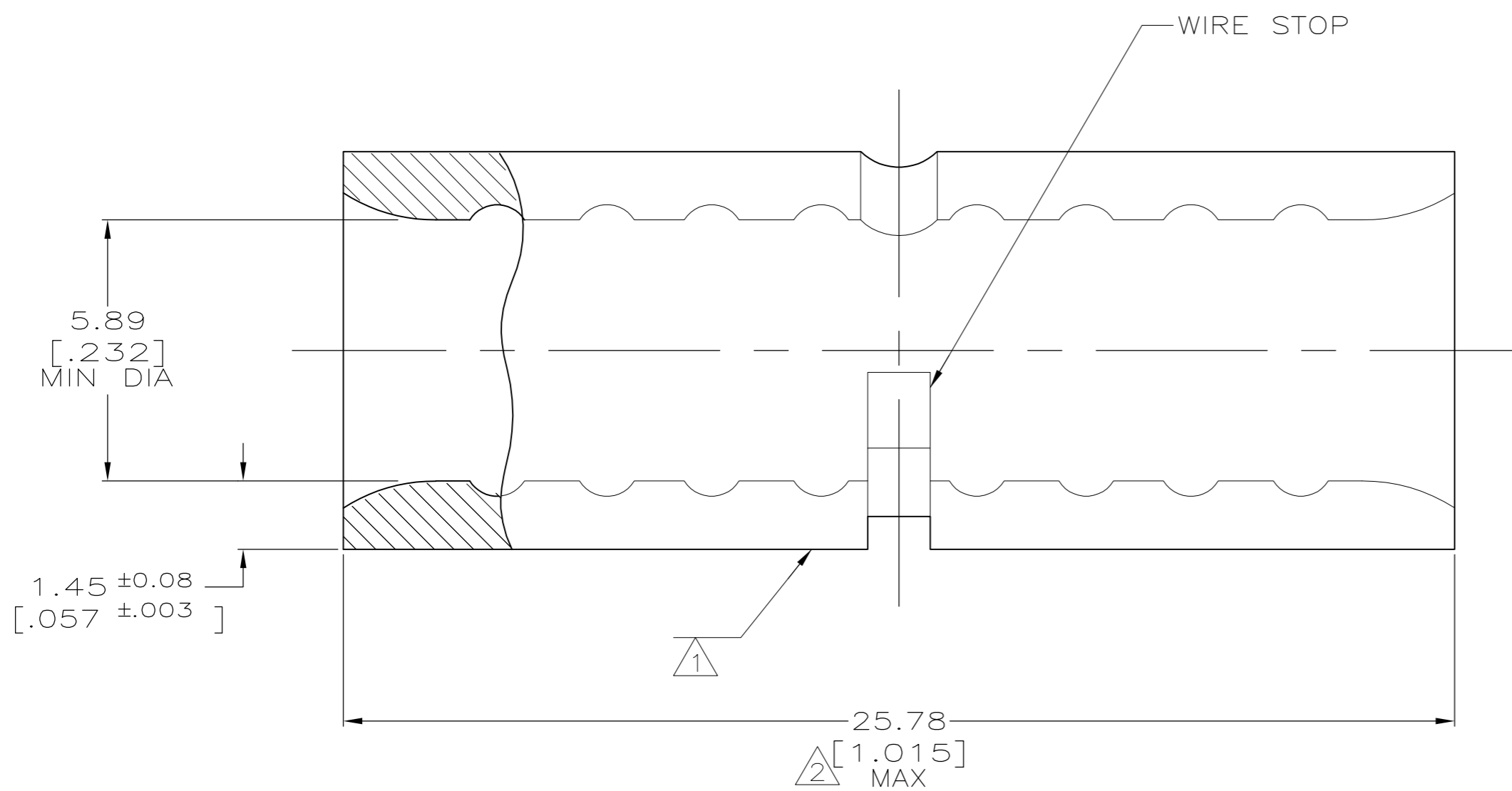
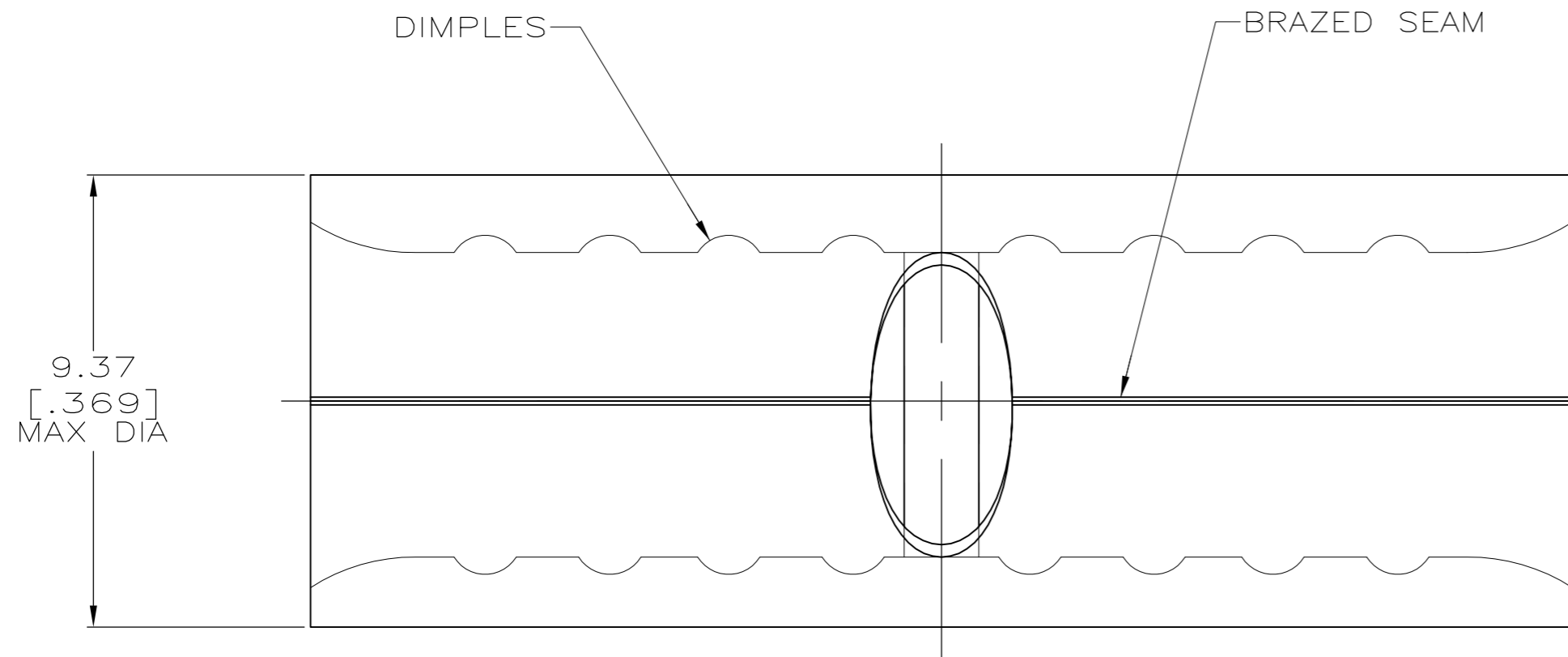


THIS DRAWING IS UNPUBLISHED. RELEASED FOR PUBLICATION
 © COPYRIGHT BY TYCO ELECTRONICS CORPORATION. ALL RIGHTS RESERVED.

LOC	DIST	REVISIONS			
P	LTR	DESCRIPTION	DATE	DWN	APVD
G	14	H1	REVISED PER ECR 08-010436	23APR08	JR RL

AMP WIRE RANGE	Listed FILE E13288	LR7189 Certified
6 AWG SOLID OR STRANDED	6 AWG STRANDED	6 AWG SOLID OR STRANDED



- 1 STAMP AMP 6W* APPROX AS SHOWN
- 2 MAXIMUM LENGTH DOES NOT INCLUDE MANUFACTURING TABS
- 3 GOLD PLATE 0.00127[.000050] MIN THK PER MIL-G-45204 TYPE II OVER NICKEL PLATE 0.00762[.000030] MIN THK PER QQ-N-290
- 4 GOLD PLATE 0.00381[.000150] MIN THK PER MIL-G-45204 OVER NICKEL PLATE 0.01270[.000500] MIN THK PER QQ-N-290
- 5 SILVER PLATE 0.01270[.000500] MIN THK PER QQ-S-365
- 6 NICKEL PLATE 0.00800[.000300] MIN THK PER QQ-N-290
- 7 COPPER PER ASTM B-152, ANNEALED

	5	170°C MAX	2-324309-2
OBSOLETE	4	170°C MAX	2-324309-1
	6	343°C MAX	324309-2
OBSOLETE	3	170°C MAX	324309
	FINISH	TEMPERATURE RATING	PART NO.

AMP INCORPORATED CUSTOMER SERVICE SYSTEMS		MAX RECOMMENDED OPERATING TEMPERATURE: SEE TABLE
FOR ADDITIONAL PRODUCT INFORMATION OR COPIES OF DRAWINGS AND TECHNICAL DOCUMENTS	PRODUCT INFORMATION CENTER 1-800-522-6752	VOLTAGE RATING: N/A
FOR APPLICATION TOOLING INFORMATION	TOOLING ASSISTANCE CENTER 1-800-722-1111	CIRCULAR MIL AREA: 10.5-16.8mm ² [20,800-33,100] SOLID OR STRANDED
FOR ORDER ENTRY	1-800-526-5142	THIS DRAWING IS A CONTROLLED DOCUMENT FOR AMP INCORPORATED. IT IS SUBJECT TO CHANGE AND THE CONTROLLING ENGINEERING ORGANIZATION SHOULD BE CONTACTED FOR THE LATEST REVISION.

THIS DRAWING IS A CONTROLLED DOCUMENT.		DWN DK SCHRUM 5/2/94	Tyco Electronics Corporation Harrisburg, PA 17105-3608	
DIMENSIONS: INCHES		CHK DA PATTERSON 5/5/94	NAME SPLICE, BUTT, W/ SIGHT HOLE, SOLISTRAND	
TOLERANCES UNLESS OTHERWISE SPECIFIED: 0 PLC ± - 1 PLC ± - 2 PLC ± - 3 PLC ± - 4 PLC ± - ANGLES ± -		APVD JL MECKLEY 5/5/94	PRODUCT SPEC APPLICATION SPEC	
MATERIAL -7	FINISH SEE TABLE	WEIGHT -	SIZE A2	CAGE CODE 00779
CUSTOMER DRAWING		DRAWING NO C-324309	RESTRICTED TO -	SCALE 8:1
		SHEET 1 OF 1	REV H1	