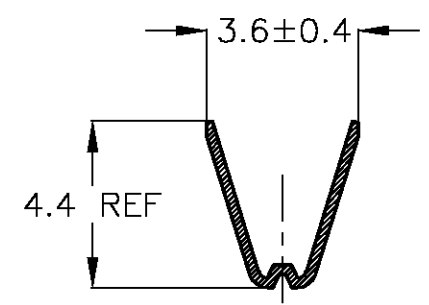
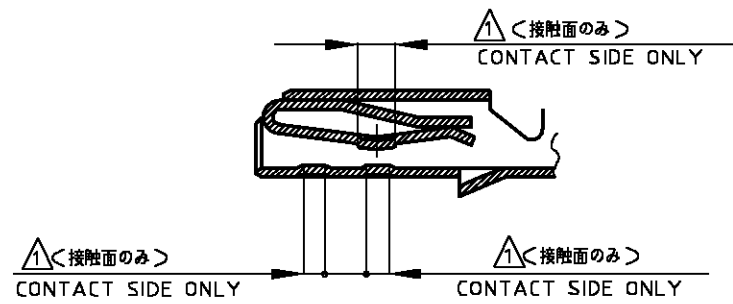
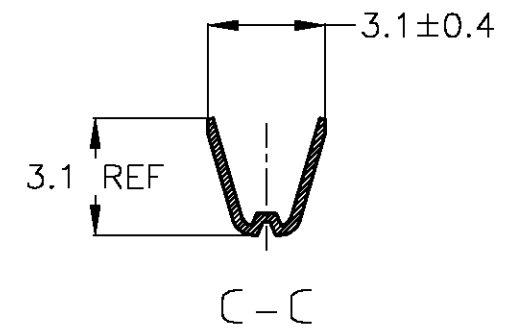
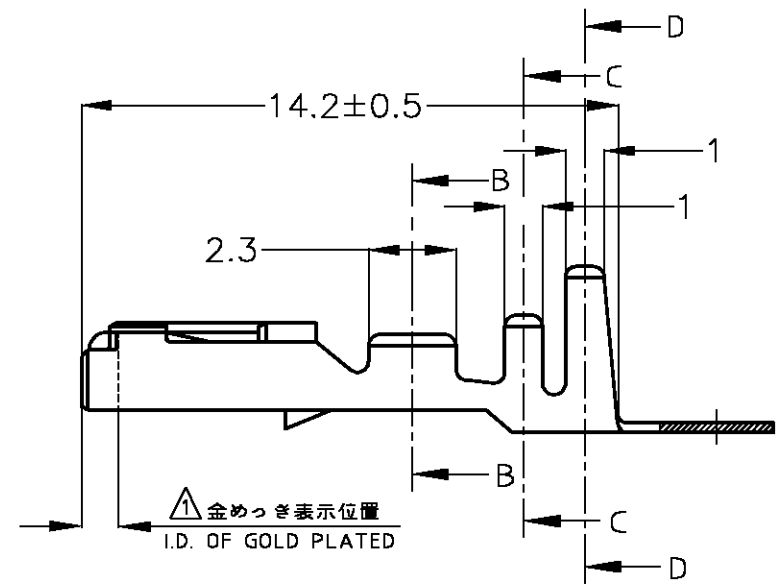
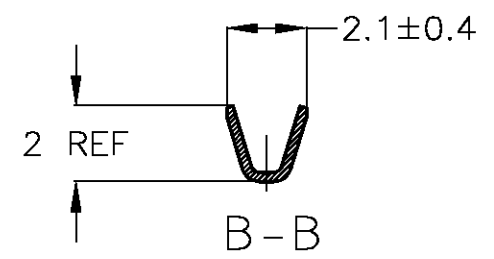
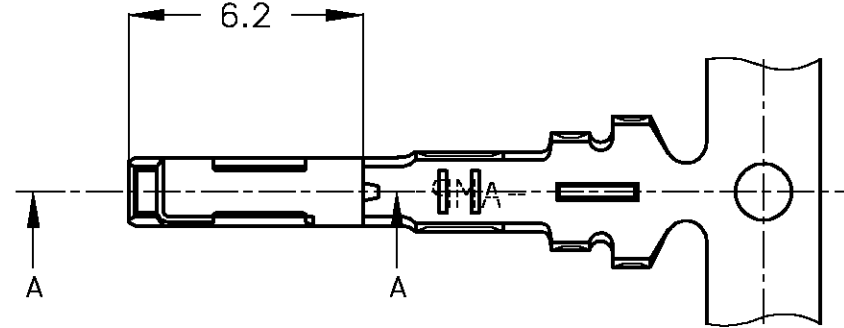
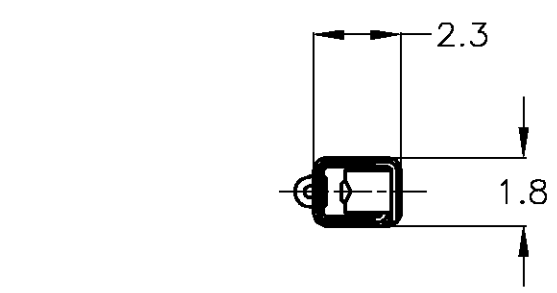


THIS DRAWING IS UNPUBLISHED.

RELEASED FOR PUBLICATION

© COPYRIGHT 2003 BY TYCO ELECTRONICS CORPORATION. ALL RIGHTS RESERVED.

LOC	DIST	REVISIONS					
J	—	P	LTR	DESCRIPTION	DATE	DWN	APVD
		02	REVISED	ECR-06-026280	08NOV06	TS	KB



△部分金めっき
2. 圧着規格 114-5133

△SELECTIVE GOLD
2. CRIMP SPEC. 114-5133

△SELECTIVE GOLD 部分金めっき	175094-2
PRE-TINNED 錫めっき済	175094-1
FINISH 仕上げ	PN 型番

WIRE RANGE 0.3~0.56mm ² (AWG#22-#20)	THIS DRAWING IS A CONTROLLED DOCUMENT.	DWN A.YAMAGUCHI 09JUL03	Tyco Electronics AMP K.K. Kawasaki, Japan
INSULATION DIA. 1.0-1.4 mmφ	DIMENSIONS: 単位: 概 mm	CHK K.BETSUI 09JUL03	
TOLERANCE UNLESS OTHERWISE SPECIFIED: 一般公差	TOLERANCES UNLESS OTHERWISE SPECIFIED: 一般公差	APVD K.BETSUI 09JUL03	NAME 名称 040 SERIES RECEPTACLE CONTACT
0 < x ≤ 10 : ±0.2 10 < x ≤ 30 : ±0.25 30 < x ≤ 100 : ±0.3	0 PLC ±- 1 PLC ±- 2 PLC ±- 3 PLC ±- 4 PLC ±- ANGLES ±-	PRODUCT SPEC 製品規格	SIZE A3
ANGLE ; 角度 : ±3°	MATERIAL 材料 KLE-5 THICKNESS; 0.25	APPLICATION SPEC 取付適用規格 SEE NOTE	CAGE CODE 00779
	FINISH 仕上 SEE TABLE	WEIGHT -	DRAWING NO 番号 C-175094
		CUSTOMER DRAWING	RESTRICTED TO -
			SCALE 尺度 5:1
			SHEET 1 OF 1
			REV 02