

5

4

3

2

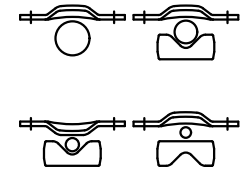
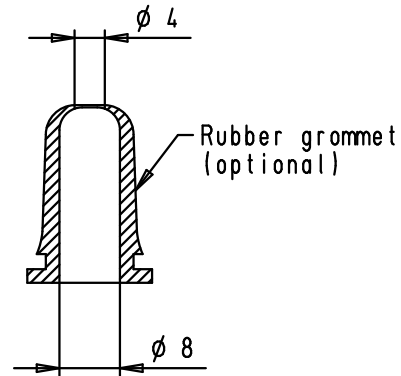
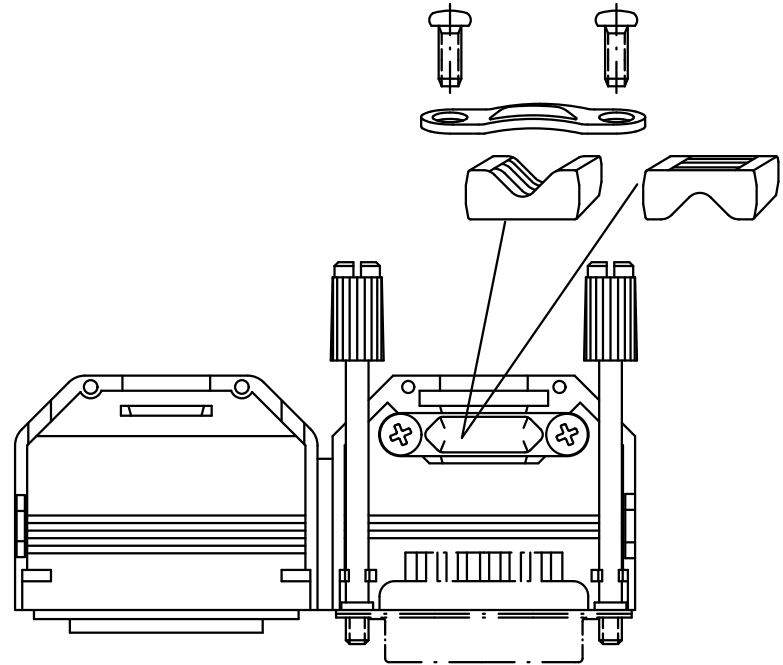
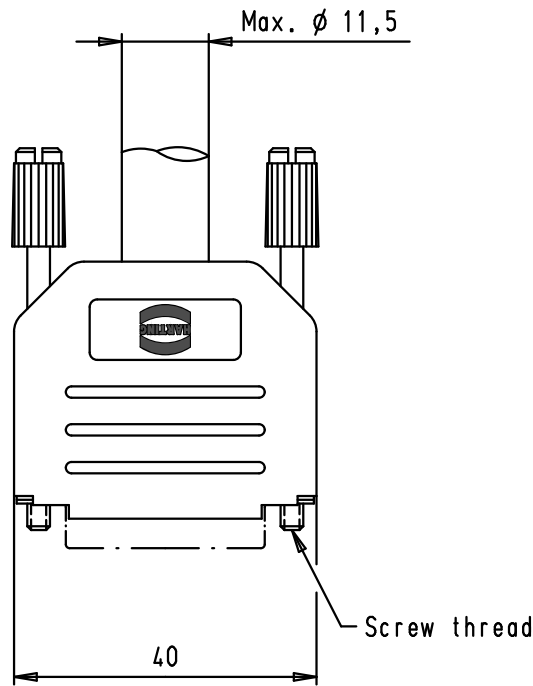
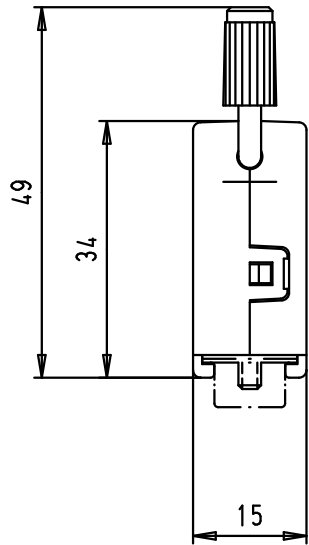
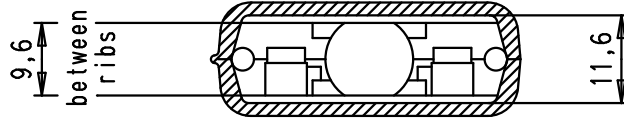
1



D

C

B

A



				Dot.	Name	 All Dim. in mm Orig. Size DIN A 4
			Detail.	28/03/02	CV	
			Insp.			
			Stand.			
34784	11/02/08	PK				
31085	04/09/02	CV				
29760	28/03/02	CV				
Mod.	Dot.	Name	HARTING EURL F-95972 Paris			

D-Sub, top entry hood with knurled screws, 15 poles, thermoplastic black	Maßstab/ Scale
	1:1
TB 09 67 015 042X	Blatt/ Page
Sub.	1 / 1

09 67 015 0426	M3
09 67 015 0424	4-40 UNC
Part number	Screw thread