

Customer Information Sheet

DRAWING No.: H3153-XX

SHEET 2 OF 2

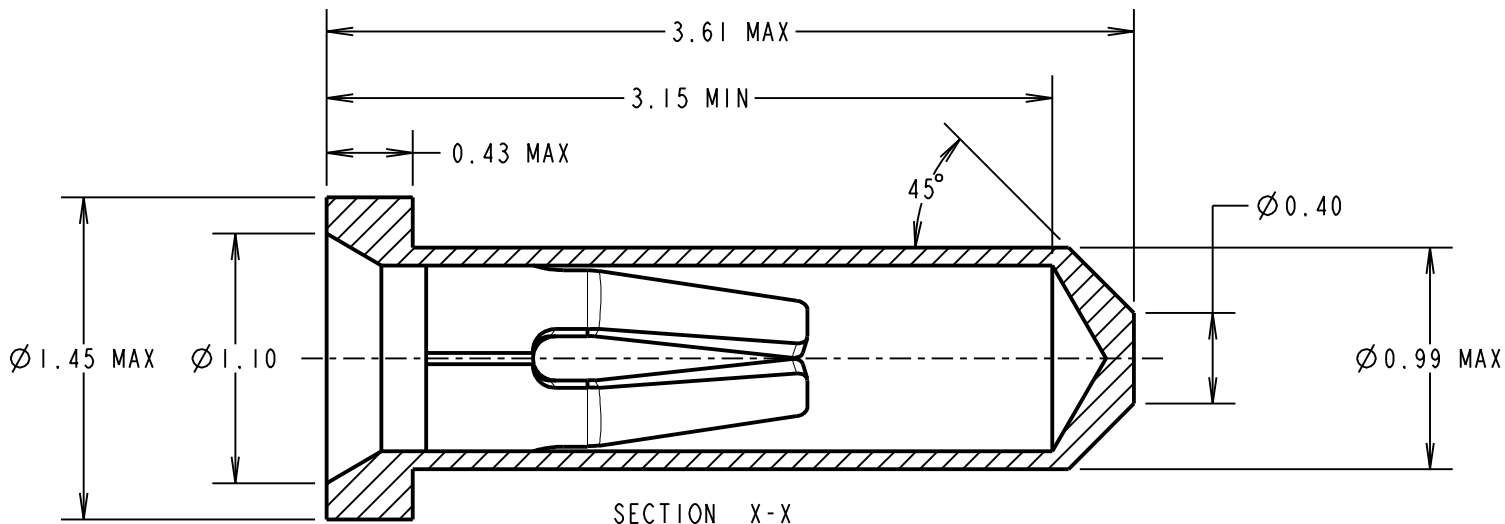
IF IN DOUBT - ASK

©

NOT TO SCALE

THIRD ANGLE PROJECTION

ALL DIMENSIONS IN mm



SPECIFICATION:

MATERIAL:

CONTACT SHELL = BRASS
CONTACT CLIP = BERYLLIUM COPPER

FINISH (ALL OVER NICKEL):

01 = 0.1µ GOLD CLIP, 4µ TIN OVER NICKEL SHELL
05 = 0.1µ GOLD CLIP, 0.15µ GOLD SHELL
46 = 2.4µ 100% TIN CLIP, 4µ 100% TIN SHELL

ELECTRICAL:

CURRENT RATING AT 25°C = 2A MAX
CURRENT RATING AT 85°C = 1.75A MAX
CONTACT RESISTANCE (INITIAL) = 15mΩ MAX
CONTACT RESISTANCE (AFTER CONDITIONING) = 25mΩ MAX

DURABILITY:

01, 05 FINISH = 500 OPERATIONS
46 FINISH = 50 OPERATIONS.

ENVIRONMENTAL:

OPERATING TEMPERATURE = -55°C TO +125°C
FOR COMPLETE SPECIFICATION, SEE COMPONENT SPECIFICATION C006XX (LATEST ISSUE).

ORDER CODE:

H3153-XX

FINISH:

01 = GOLD CLIP, TIN SHELL
05 = GOLD CLIP, GOLD SHELL
46 = 100% TIN CLIP, 100% TIN SHELL

NOTES:

1. RECOMMENDED PIN LENGTH = 3.15mm MAX
2. RECOMMENDED MOUNTING HOLE SIZE = Ø1.00 - 1.10mm
3. RECOMMENDED PIN SIZE = Ø0.46 - 0.51mm
4. CONTACT DEPTH = 2.30mm.

MSP	13	04.11.14	12661
NAME	ISS.	DATE	C/NOTE
APPROVED:		M.PERREN	
CHECKED:		M.PLESTED	
DRAWN:		J.CLAY	
CUSTOMER REF.:			
ASSEMBLY DRG:			

HARWIN

www.harwin.com
technical@harwin.com

THIS DRAWING AND ANY INFORMATION OR DESCRIPTIVE MATTER SET OUT HEREON ARE CONFIDENTIAL AND COPYRIGHT PROPERTY OF THE HARWIN GROUP AND MUST NOT BE DISCLOSED, LOANED, COPIED OR USED FOR MANUFACTURING, TENDERING OR FOR ANY OTHER PURPOSE WITHOUT THEIR WRITTEN PERMISSION.

TOLERANCES

X. = ±1mm
X.X = ±0.25mm
X.XX = ±0.10mm
X.XXX = ±0.01mm
ANGLES = ±5°
UNLESS STATED

MATERIAL:

SEE ABOVE

FINISH:

SEE ABOVE

S/AREA:

mm²

TITLE:

SUB-MINIATURE SOCKET ASSEMBLY

DRAWING NUMBER:

H3153-XX

SHT
2 OF 2