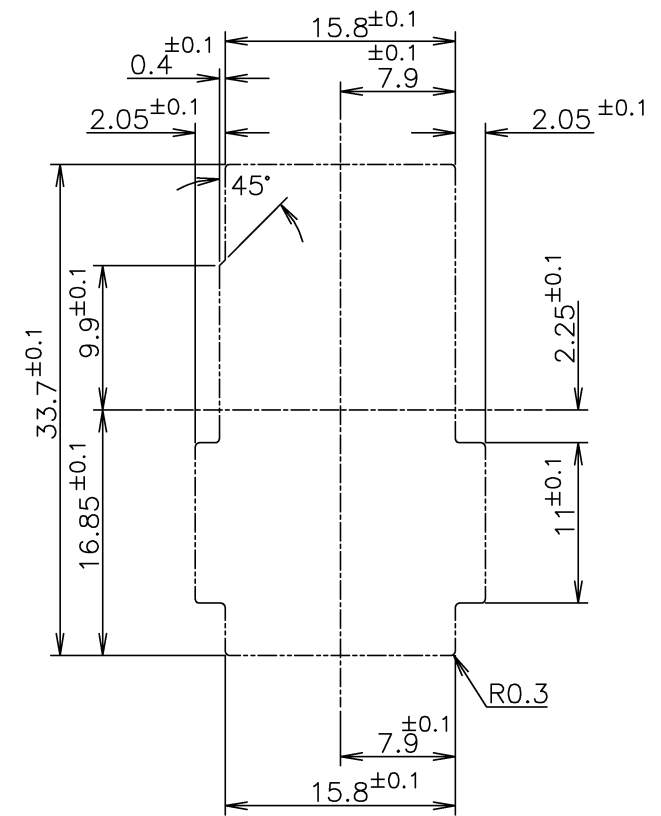
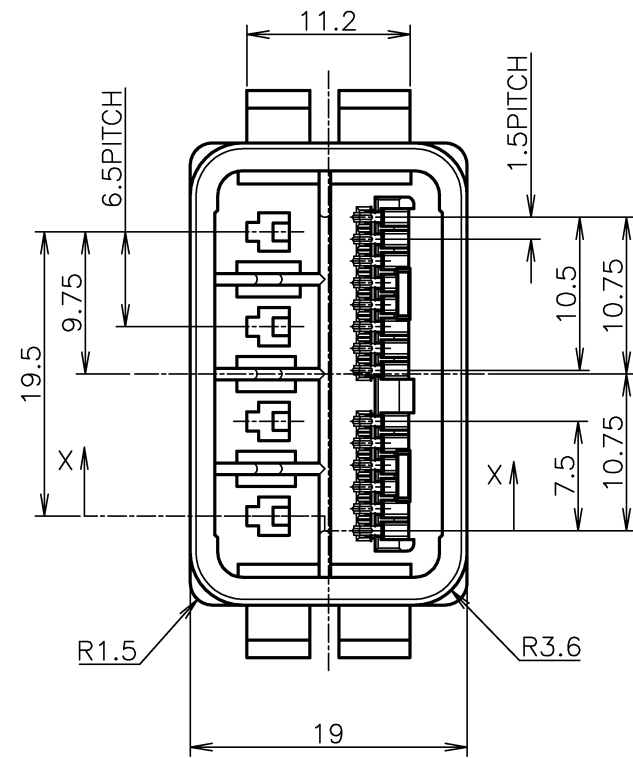
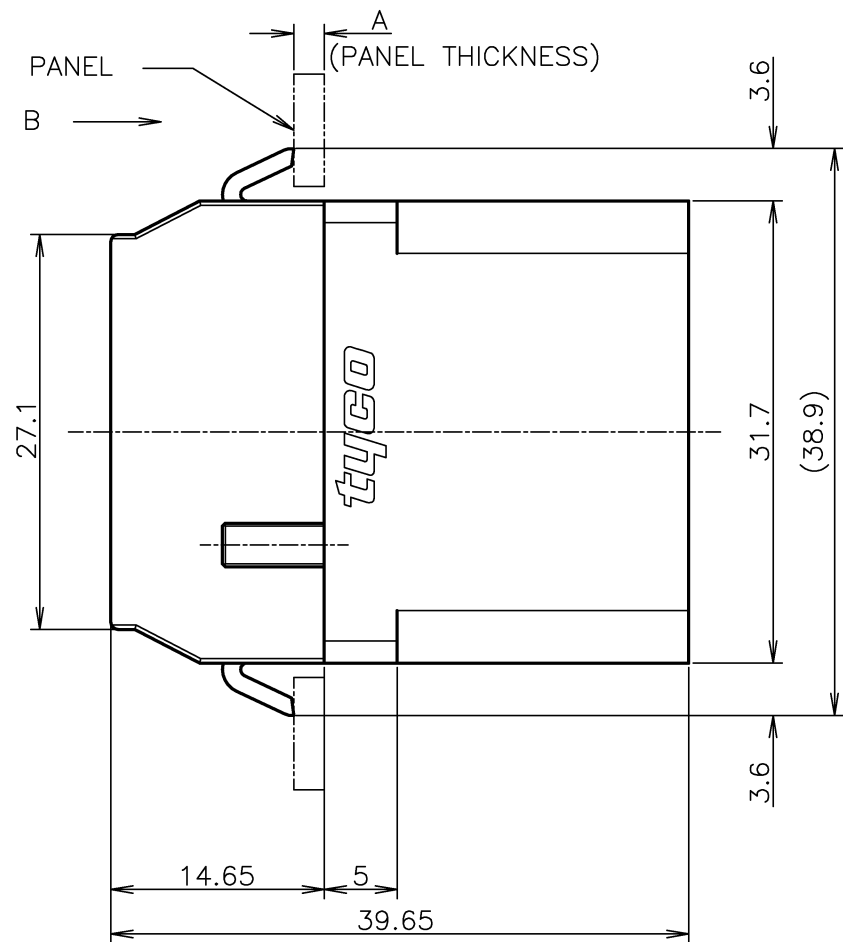
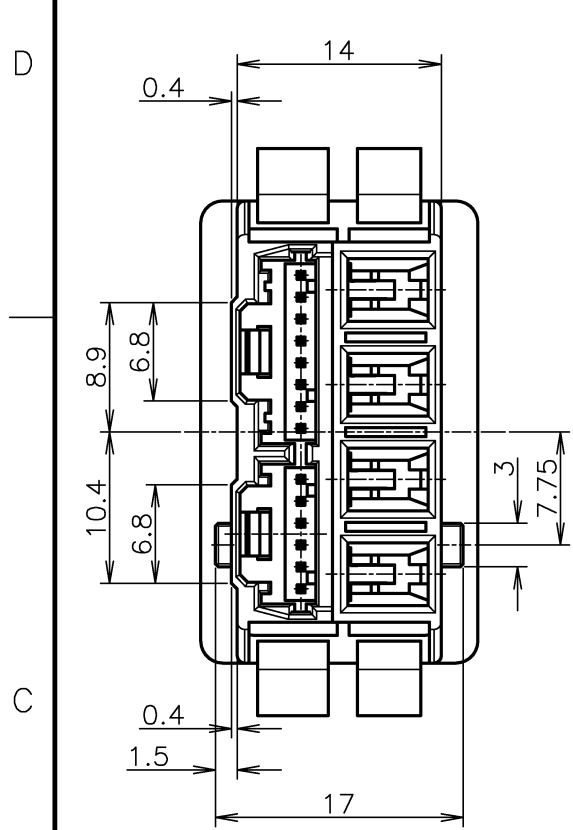
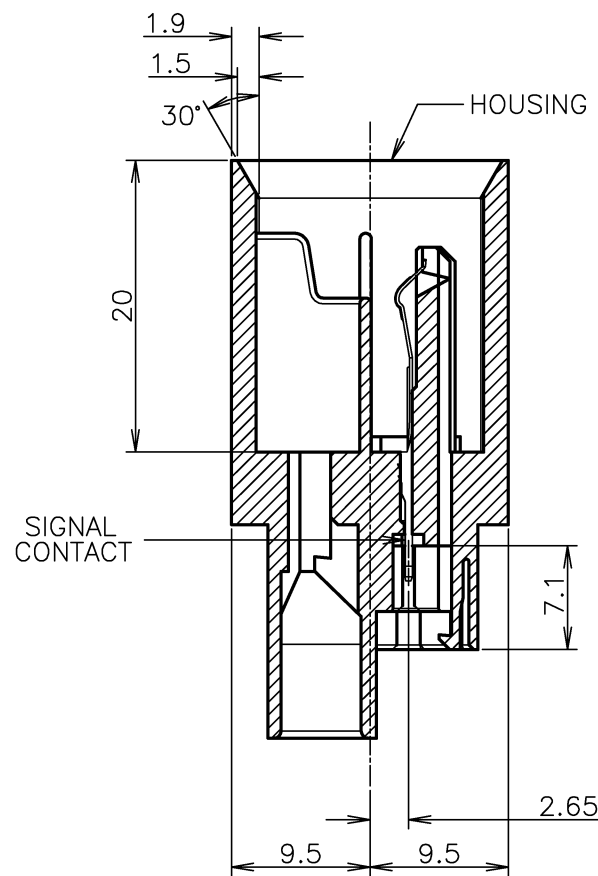


THIS DRAWING IS UNPUBLISHED. RELEASED FOR PUBLICATION  
 © COPYRIGHT BY TYCO ELECTRONICS CORPORATION. ALL RIGHTS RESERVED.

LOC	DIST	REVISIONS					
J		P	LTR	DESCRIPTION	DATE	DWN	APVD
		B		REVISED	05NOV2008	M.K	T.Y



PANEL CUT DIMENSION(VIEW B)



SEC. X-X

NOTE  
 1 GENERAL TOLERANCE : ±0.3, ±3°  
 2 MATERIAL  
 SIGNAL CONTACT : PHOSPHOR BRONZE  
 HOUSING : PBT G.F, UL94V-0, COLOR:BLACK

OPTION	1.0±0.1
OPTION	1.2±0.1
1981537-1	2.0±0.1
P/N	DIMENSION "A" (PANEL THICKNESS)

1981537-1:AS SHOWN

THIS DRAWING IS A CONTROLLED DOCUMENT.		DWN M.KATO 17APR2008	Tyco Electronics Tyco Electronics AMP K.K. Kawasaki, Japan	
DIMENSIONS: 単位: 特 mm		CHK T.YAMADA 17APR2008	NAME 名称 PLUG ASS'Y FOR 1.5mm PITCH MINI CT SNAP-FIT HYBRID DRAWER CONNECTOR 4-14Pos.	
TOLERANCES UNLESS OTHERWISE SPECIFIED: 一般公差		APVD T.YAMADA 17APR2008	PRODUCT SPEC 製品規格 108-78473	
0 PLC ± 1 PLC ± 2 PLC ± 3 PLC ± 4 PLC ± ANGLES ±		APPLICATION SPEC 取付適用規格	SIZE A3	RESTRICTED TO
MATERIAL 材料		FINISH 仕上	CAGE CODE 00779	DRAWING NO 番号 1981537
		WEIGHT	SCALE 尺度 2:1	SHEET 1 OF 1
		CUSTOMER DRAWING	REV B	