

Customer Information Sheet

DRAWING No.: S7191-45R

IF IN DOUBT - ASK

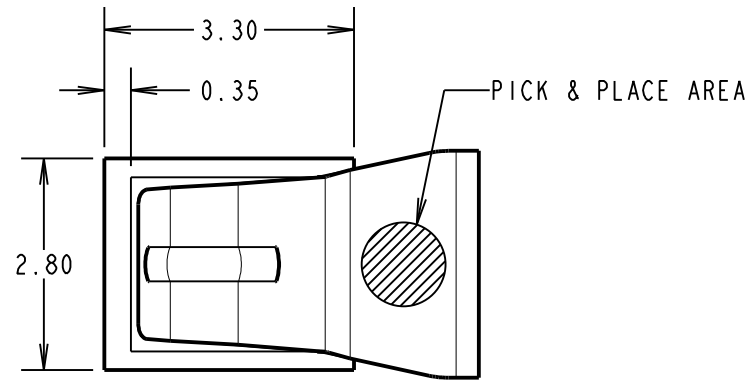
©

NOT TO SCALE

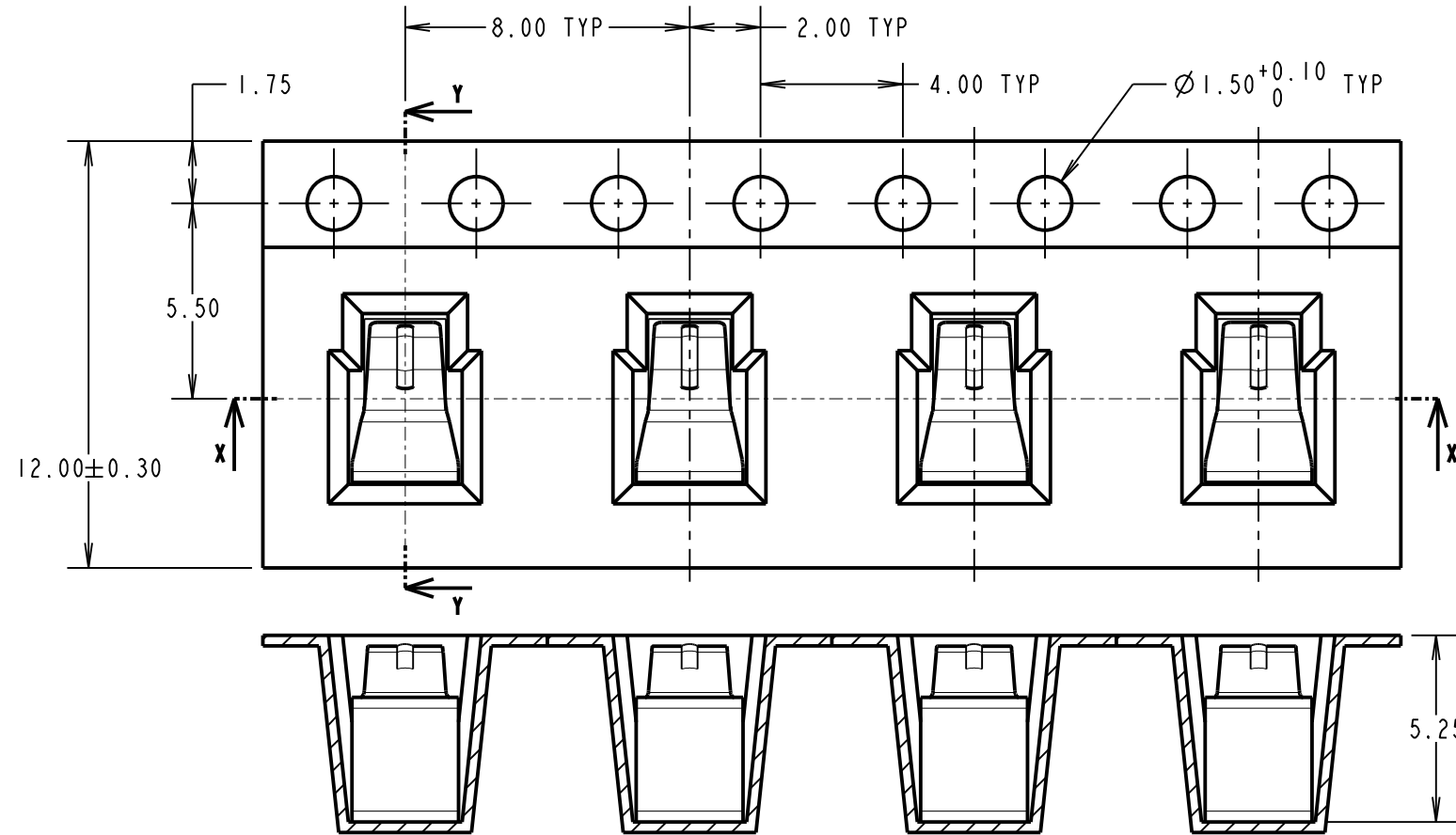
THIRD ANGLE PROJECTION

ALL DIMENSIONS IN mm

- NOTES:
 1. QUANTITY PER REEL = 1,500.
 2. THIS PRODUCT IS TAPED AND REELED IN GENERAL ACCORDANCE WITH EIA-481-2 (ELECTRONICS INDUSTRIES ASSOCIATION).

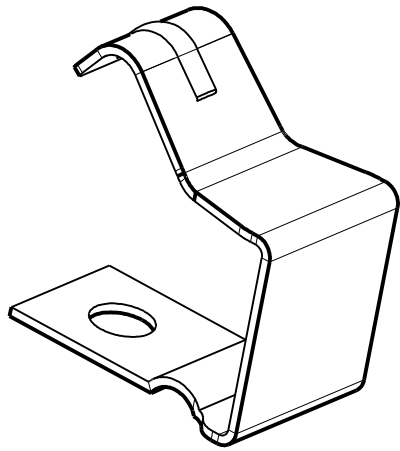


RECOMMENDED PCB LAYOUT
(TOLERANCE = ±0.05)

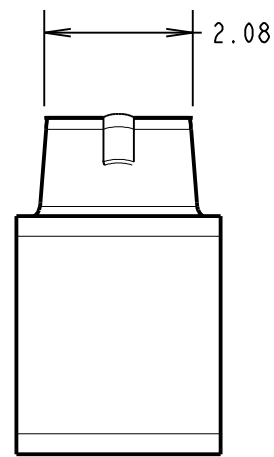
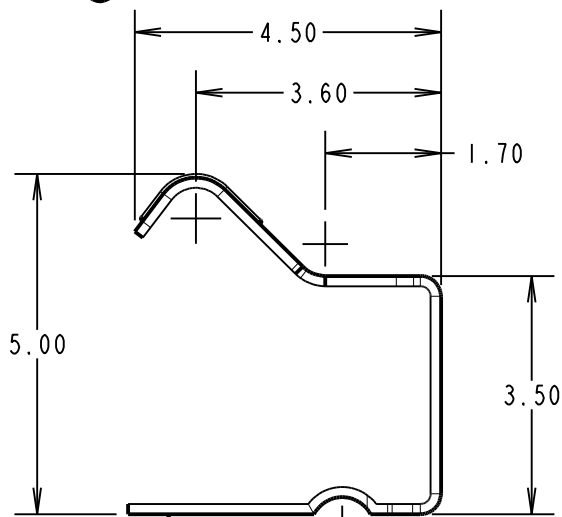


SECTION X-X

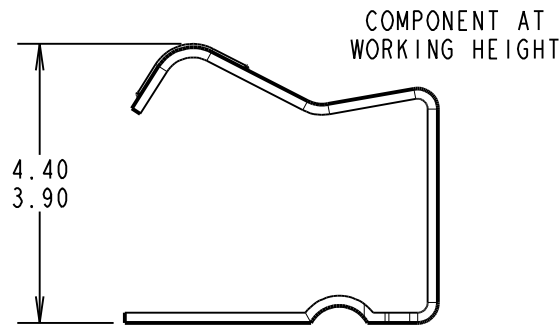
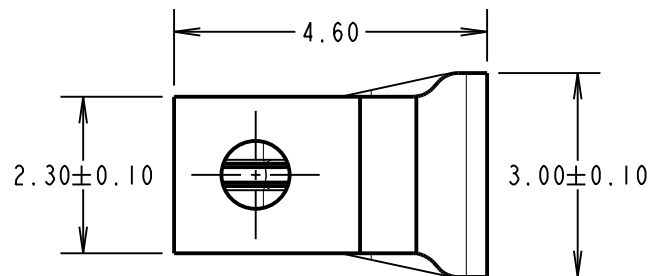
SECTION Y-Y



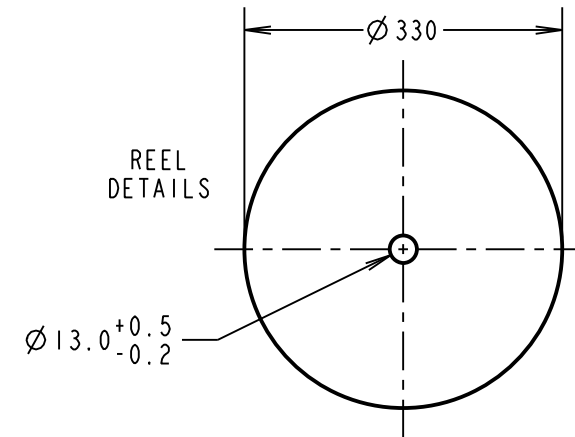
SPECIFICATION:
 MATERIAL = PHOSPHOR BRONZE, 0.15mm THICK
 FINISH = GOLD FLASH OVER 1.25µ MIN NICKEL
 ELECTRICAL:
 CONTACT RESISTANCE = 50mΩ MAX
 CURRENT RATING = 1A
 VOLTAGE RATING = 50V AC/DC
 MECHANICAL:
 DURABILITY = 10,000 CYCLES
 MINIMUM FORCE AT WORKING HEIGHT = 0.49N
 ENVIRONMENTAL:
 OPERATING TEMPERATURE = -20°C TO +70°C



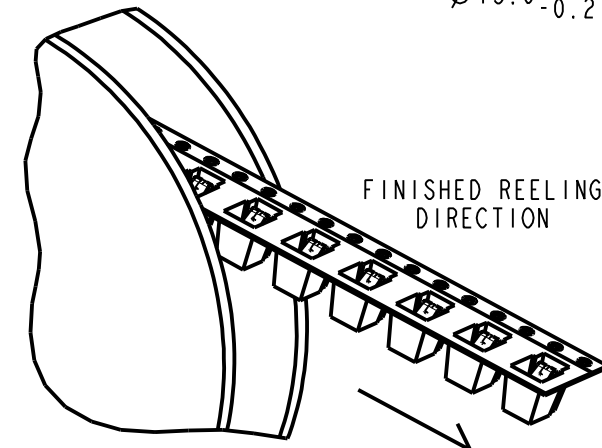
COMPONENT DETAILS
(TOLERANCE = ±0.15)



COMPONENT AT WORKING HEIGHT



REEL DETAILS



FINISHED REELING DIRECTION

MSP	3	30.11.15	13179
NAME	ISS.	DATE	C/NOTE
APPROVED:		M.PERREN	
CHECKED:		S.BENNETT	
DRAWN:		S.BENNETT	
CUSTOMER REF.:			
ASSEMBLY DRG:			

HARWIN

www.harwin.com
 technical@harwin.com

THIS DRAWING AND ANY INFORMATION OR DESCRIPTIVE MATTER SET OUT HEREON ARE CONFIDENTIAL AND COPYRIGHT PROPERTY OF THE HARWIN GROUP AND MUST NOT BE DISCLOSED, LOANED, COPIED OR USED FOR MANUFACTURING, TENDERING OR FOR ANY OTHER PURPOSE WITHOUT THEIR WRITTEN PERMISSION.

TOLERANCES

X. = ±1mm
 X.X = ±0.50mm
 X.XX = ±0.10mm
 X.XXX = ±0.01mm
 ANGLES = ±5°
 UNLESS STATED

MATERIAL:

SEE ABOVE

FINISH: SEE ABOVE

S/AREA:

mm²

TITLE: SMT SPRING CONTACT
 (5.00mm HIGH)
 IN TAPE AND REEL

DRAWING NUMBER:

S7191-45R

SHT
 2 OF 2