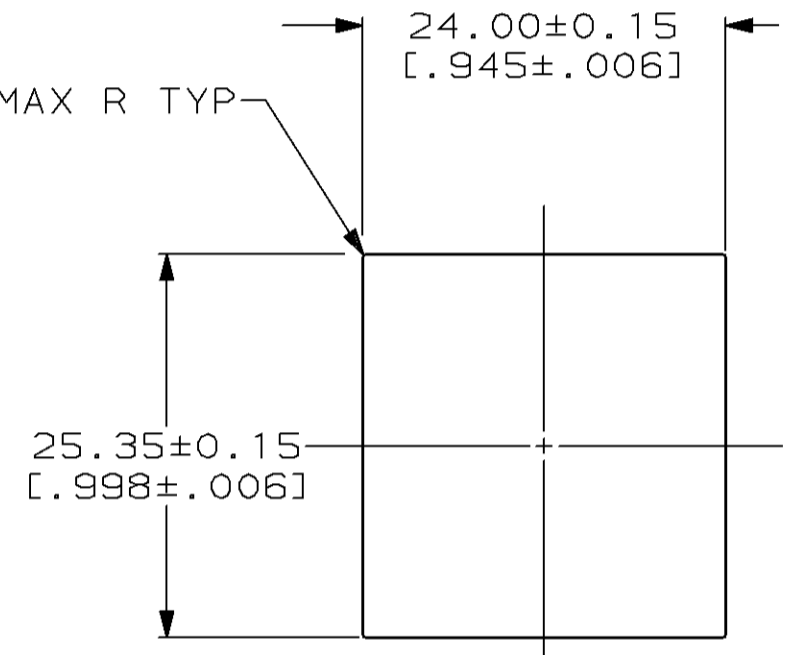
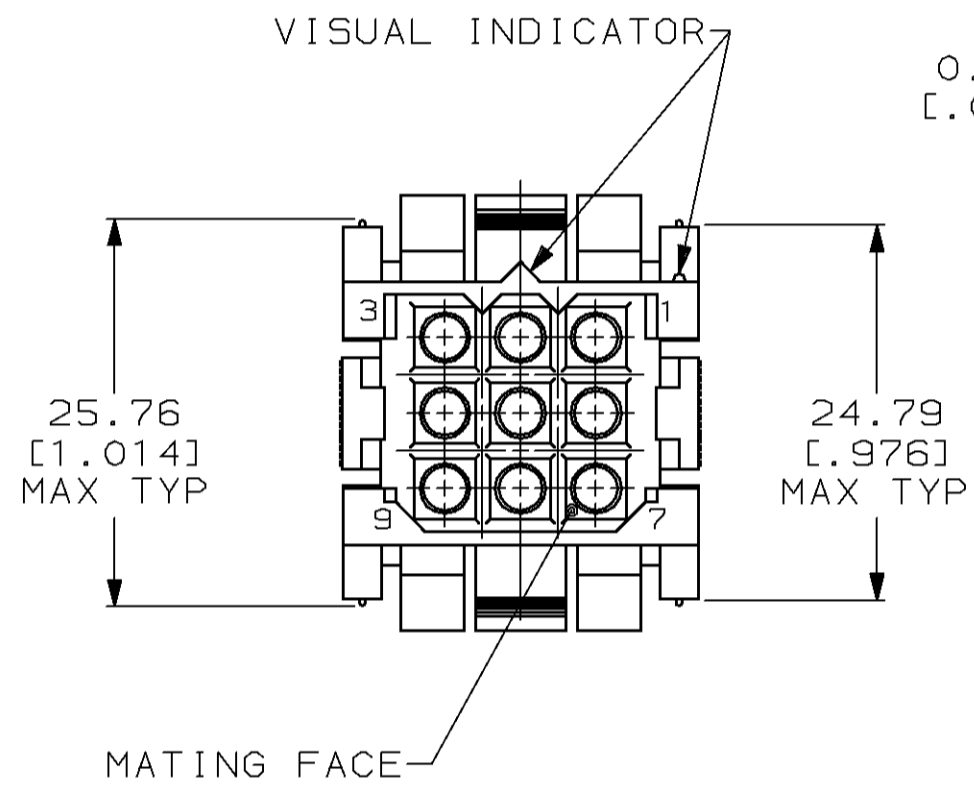
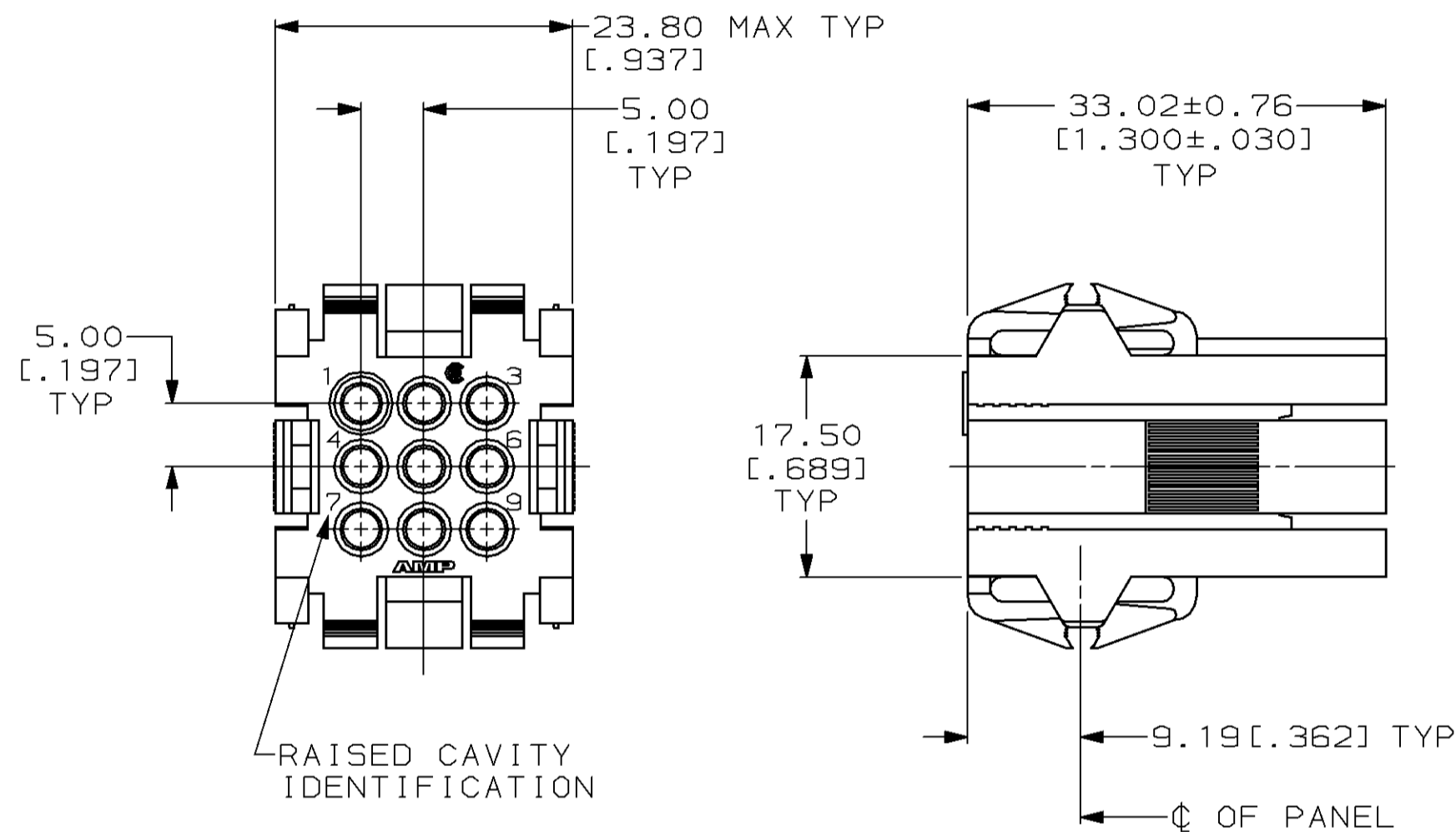


MOD	LOC	DIST	P	F	ZONE	LTR	DESCRIPTION	DATE	APPD
1	BD	37					REVISIONS		
						E	REDRAWN & REVISED PER ECN BD6668	08/26/92	-
						F	REV PER EC 0020-250-94	03/24/94	AT



PANEL CUTOUT

1. PANEL RETENTION MECHANISM ACCOMMODATES PANEL THICKNESSES FROM 0.76 [0.030] TO 2.29 [0.090].

THIS DRAWING IS A CONTROLLED DOCUMENT FOR AMP INCORPORATED. IT IS SUBJECT TO CHANGE AND THE CONTROLLING ENGINEERING ORGANIZATION SHOULD BE CONTACTED FOR THE LATEST REVISION.

DO NOT SCALE PRINT. UNLESS SPECIFIED DIMENSIONS IN mm [INCHES] TOLERANCES ON : 2 PLC DEC ± 0.25 [0.010] 3 PLC DEC ± - ANGLES ± -		DR 08/26/92 W.LENKER	AMP Incorporated Harrisburg, PA 17105-3608	
MATERIAL NYLON, COLOR: RED	CHK 8-31-92 R.STONE	APPD 9-2-92 A.TRAVIS		
FINISH -	APPD 9-3-92 C.ROHDE	PRODUCT SPEC 108-10033	SIZE C	CAGE CODE 00779
	APPLICATION SPEC -	WEIGHT -	DRAWING NO C=207440	SHEET 1 OF 1

CUSTOMER DRAWING