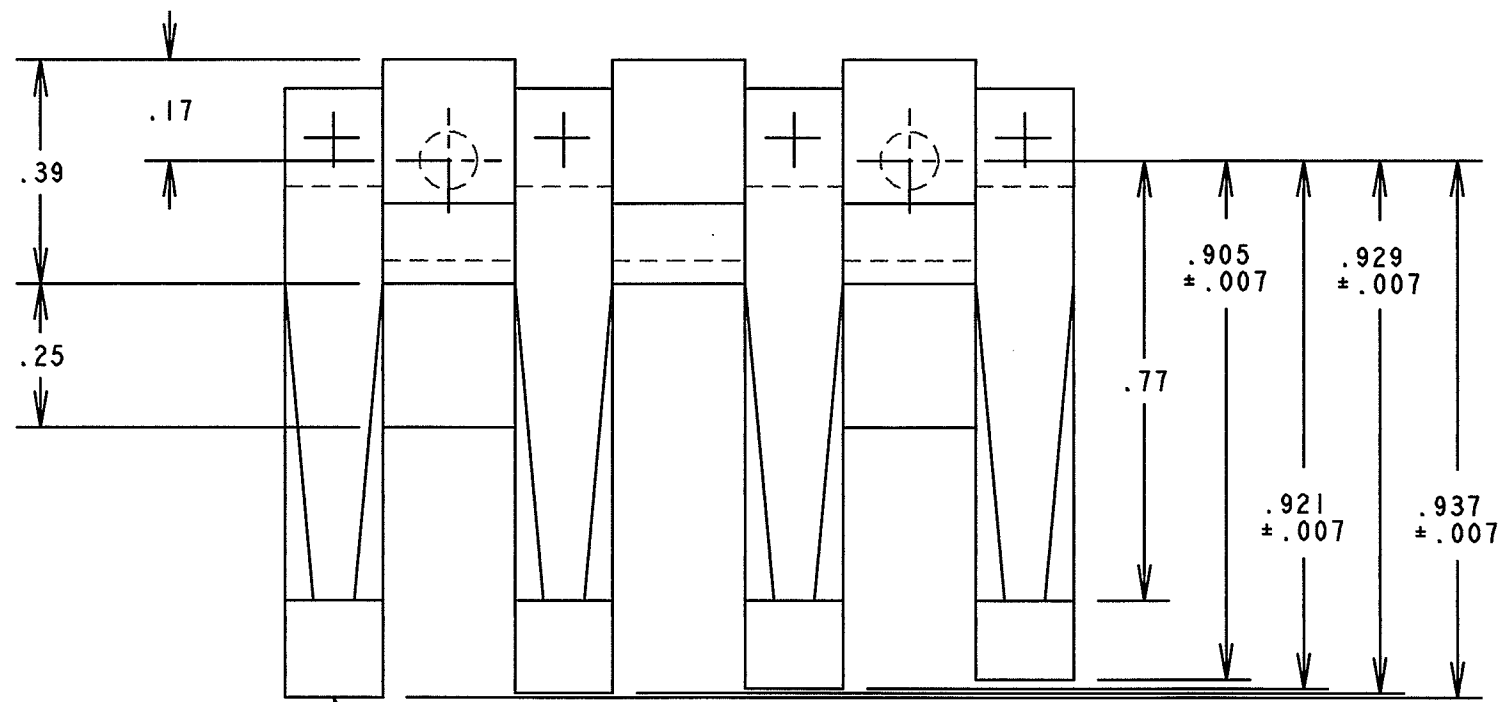
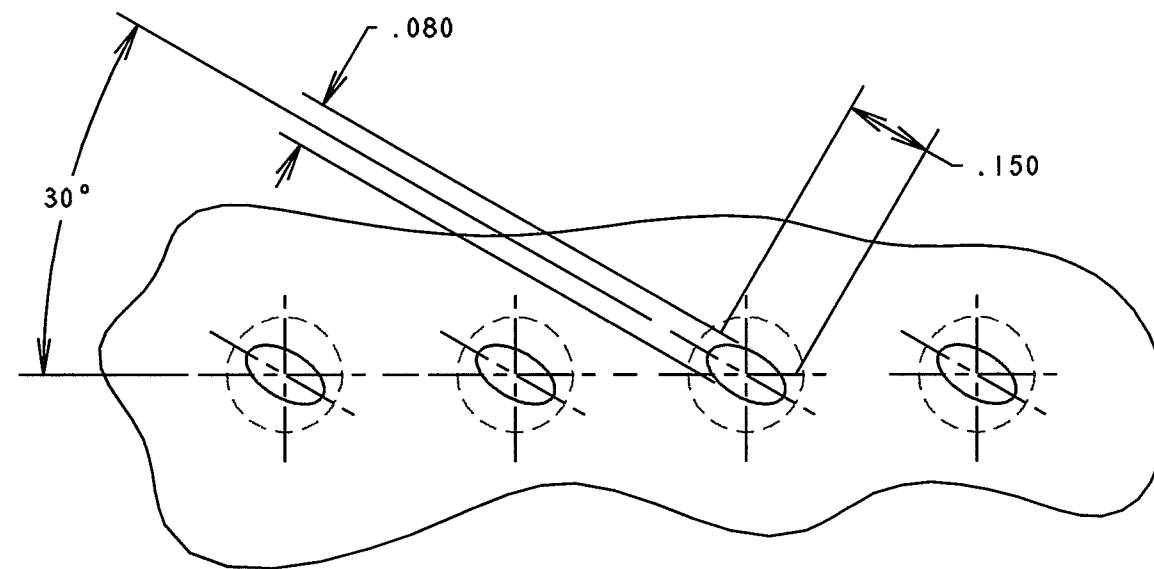


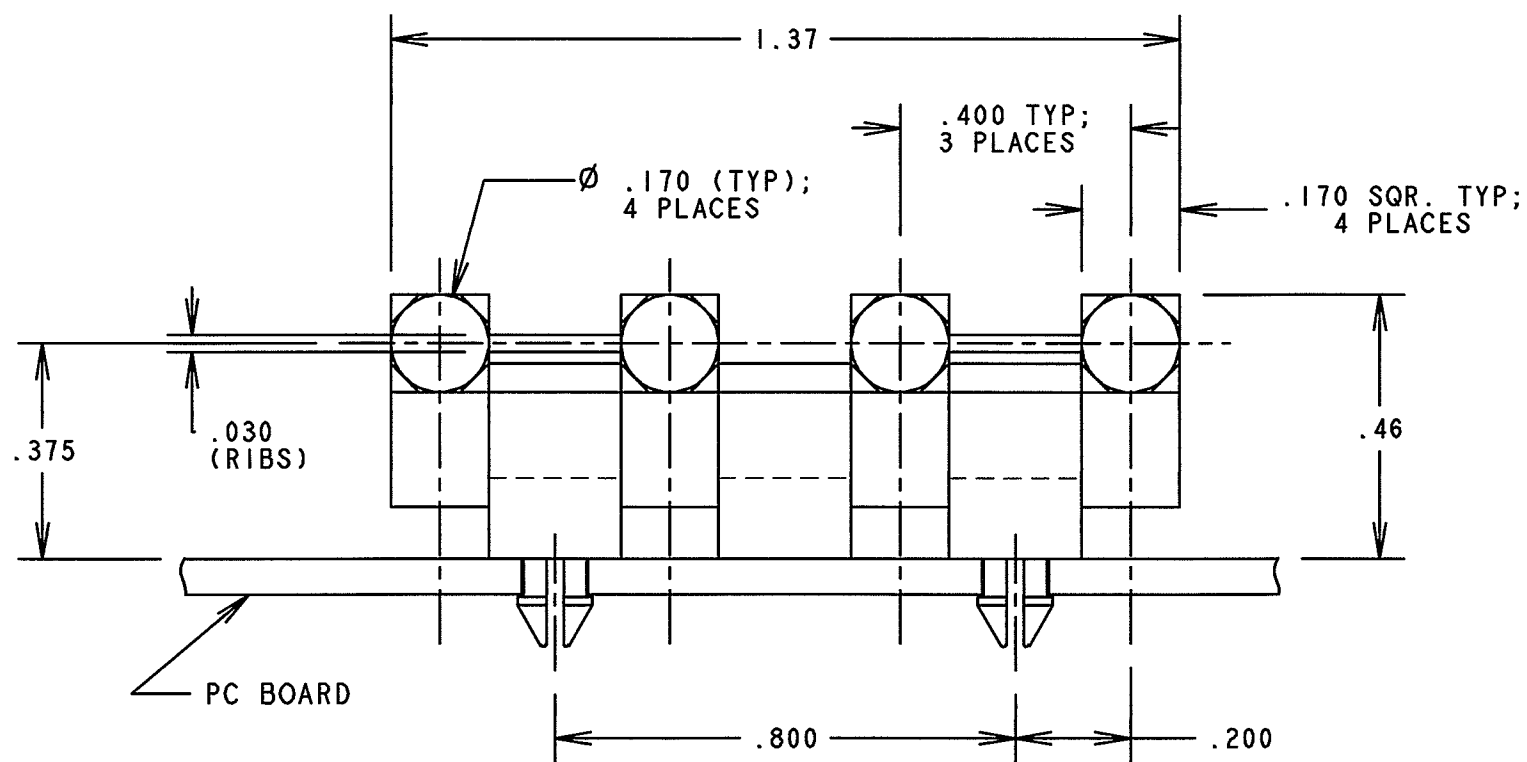
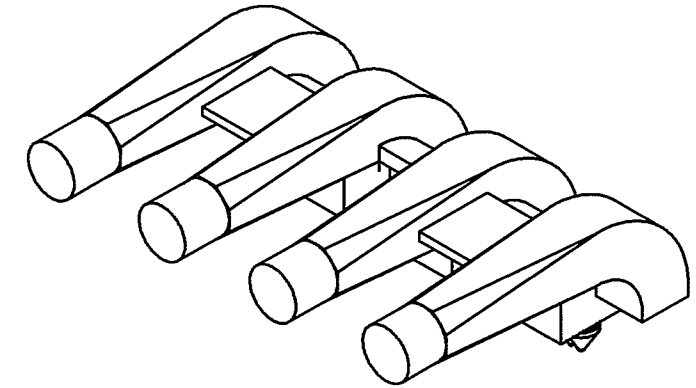
REV.	ECN NO.	REVISIONS	DRN.	CKD.	APP.	DATE
A		NEW RELEASE	MC		N.O.	12-8-95
B		ROTATED SOLDER PADS 90° & .055 (TYP) WAS .065 (TYP).	MC		D.C.	1-16-96



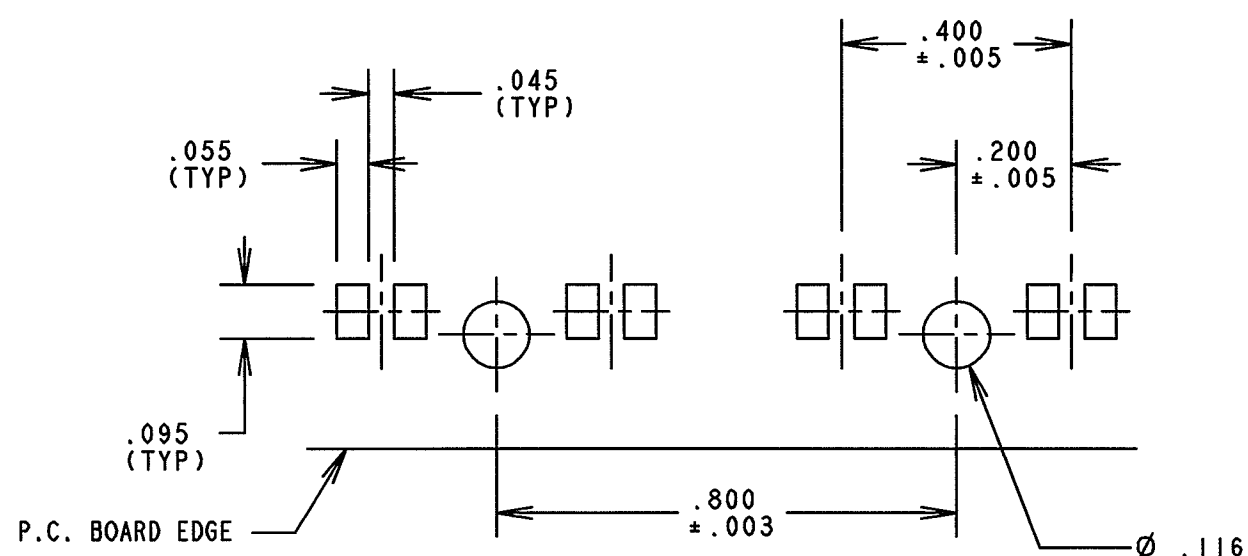
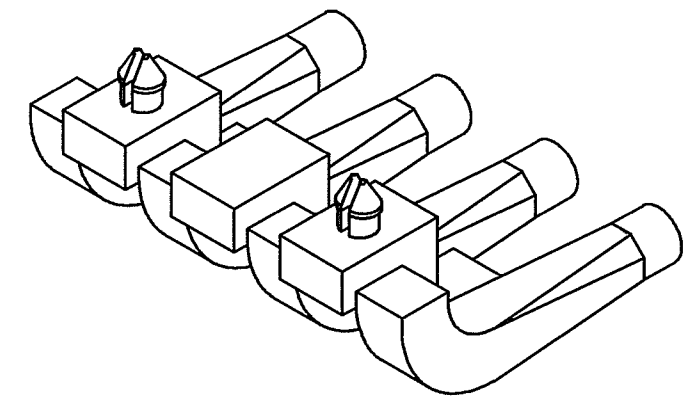
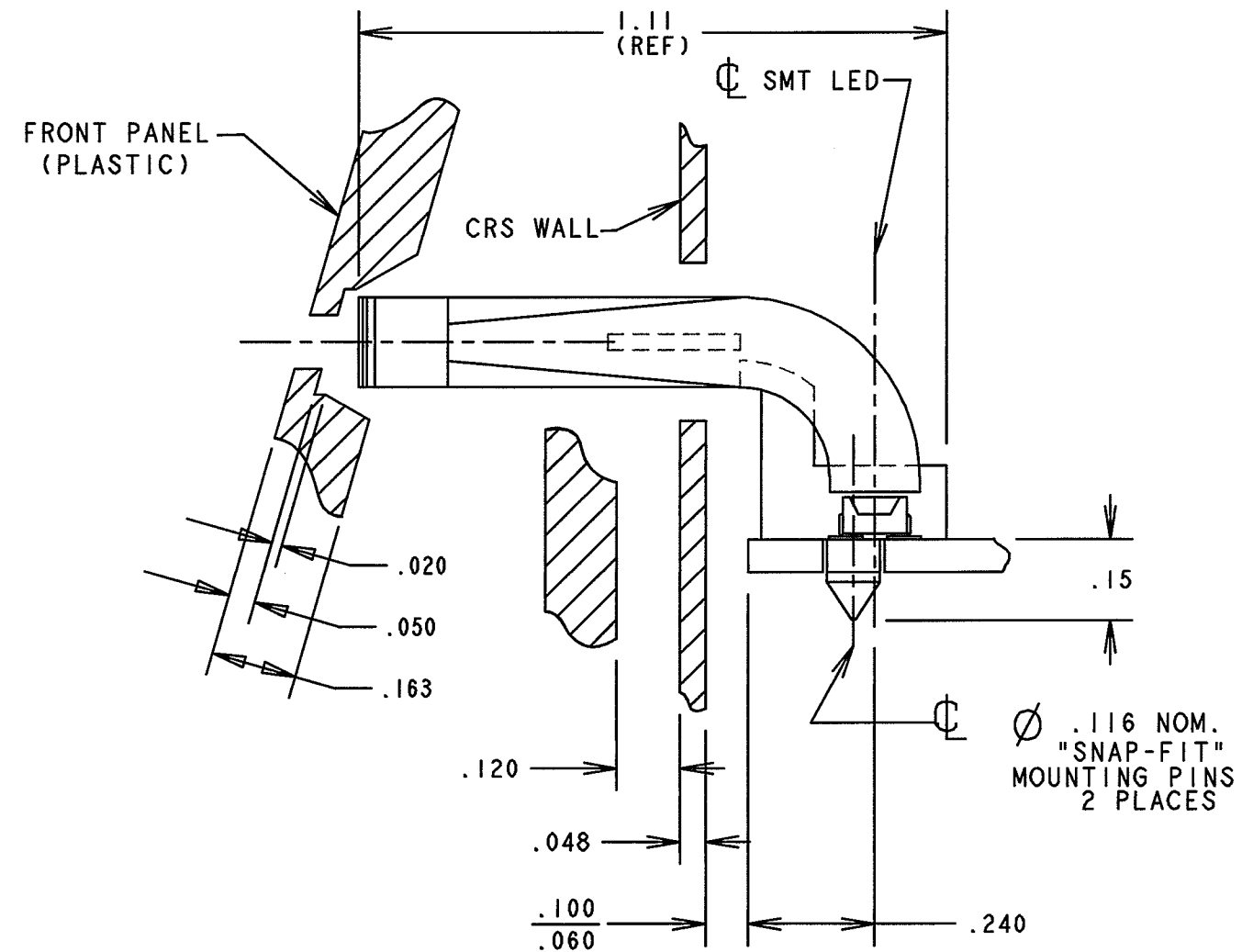
DIFFUSED FRONT SURFACE;
(TYP) 4 PLACES



FRONT PANEL HOLE LAYOUT



FRONT PANEL & WALL NOT SHOWN IN THIS VIEW



SOLDER PAD AND HOLES LAYOUT

NOTES:

1. COMPONENT TO BE MOLDED IN CLEAR TRANSMISSIVE POLYCARBONATE.
2. DIALIGHT PART NO. 515-1037

THIS DRAWING AND THE CONTENTS HEREIN ARE CONFIDENTIAL AND THE SOLE PROPERTY OF DIALIGHT. REPRODUCTION OF THIS DRAWING OR CONSTRUCTION OF ANY PARTS WITHIN THIS DRAWING ARE FORBIDDEN WITHOUT THE WRITTEN CONSENT OF DIALIGHT.		
SCALE: 3:1	DRAWING NUMBER	REV
ALL DIM'S IN: INCHES (MM)	C-16043	B
TOLERANCES: UNLESS OTHERWISE SPECIFIED	TITLE	
FRACTIONS: ±1/64	4-ELEMENT LIGHTPIPE	
DECIMALS (.XX): ±.02	MATERIAL	
DECIMALS (.XXX): ±.010	Dialight	
ANGLES: ±3°	1501 ROUTE 34 SOUTH	
FINISH:	FARMINGDALE, NJ 07727	
FSCM 83330	SHEET OF	FAMILY TABLES: