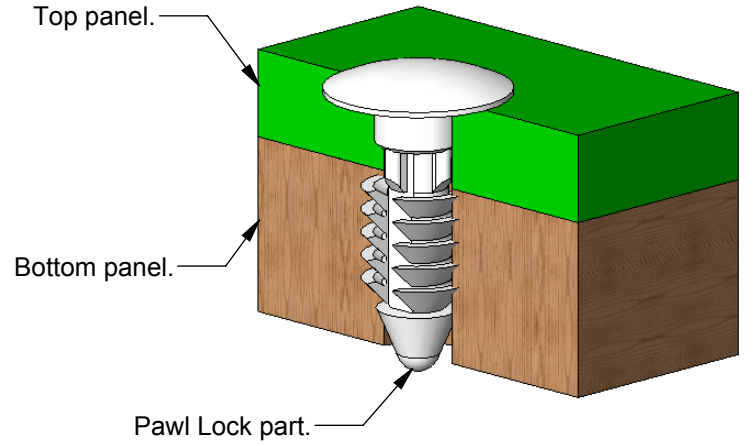


REV.	MODIFICATION.	DATE	DRN
01	New Drawing ECN06-246.	16/11/06	NJB
02	ECN2007-095	05/06/07	SF
03	ECN2007-147	11/09/07	TC
04	CO2010299	07/08/08	SF



APPLICATION ASSEMBLY

NOTES

- 1a) METRIC PRIMARY UNITS: mm.
- 1b) IMPERIAL SECONDARY UNITS: [inches].
- 2) FOR USE IN A THREADED, NON-THREADED, DRILLED OR PUNCHED HOLE.

INFORMATION CONTAINED IN THIS DOCUMENT IS CONFIDENTIAL TO RICHCO INTERNATIONAL Co. Ltd. AND MAY NOT BE DISCLOSED OR REPRODUCED IN WHOLE OR PART WITHOUT THEIR WRITTEN CONSENT.



GENERAL TOLERANCES ± 0.25 [0.010]
 UNLESS OTHERWISE STATED
 1 DECIMAL PLACE \pm
 2 DECIMAL PLACES \pm
 ANGULAR $\pm 1^\circ$

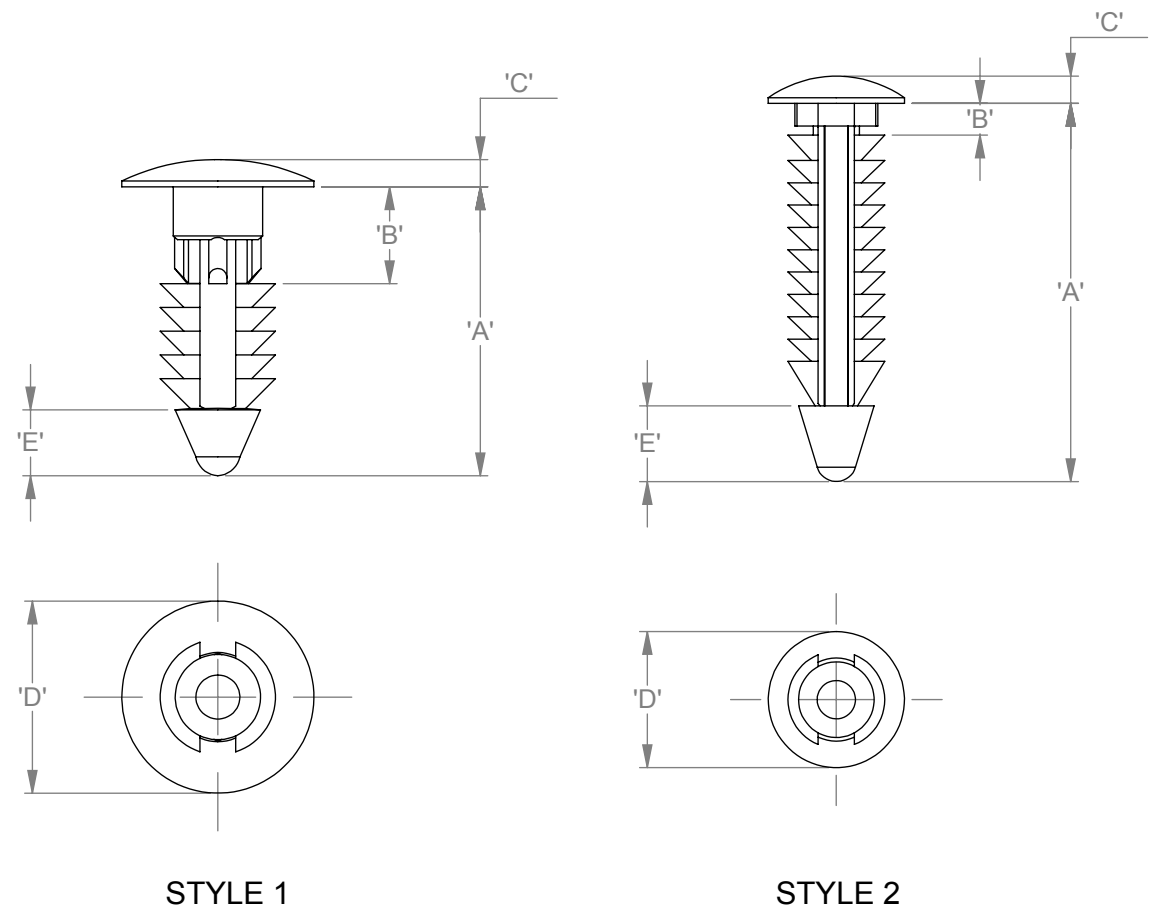


MATERIAL: **NYLON 6/6 UL 94 V2 (RMS-01)** COLOUR: **NATURAL**

DESCRIPTION: **PAWL LOCK** PART No: **SEE TABLE**

DRG No: **06-140** NPR No: **N/A** SHEET SIZE **A4**

DRN: **NJB** DATE: **16/11/06** CHKD: **TC** DATE: **16/11/06** SCALE: **NTS** SHEET No.: **1 OF 1**



STYLE 1

STYLE 2

PART NUMBER	"A" DIM	"B" DIM	"C" DIM	"D" DIM	"E" DIM	HOLE SIZE	STYLE
PL-250-10-01	15.9[.625]	3.2[.125]	2.0[.078]	12.7[.500]	4.1[.161]	6.35[.250]	1
PL-250-12-01	19.1[.751]	6.7[.264]	1.8[.070]				
PL-250-20-01	25.0[.984]	2.1[.082]	1.8[.070]	9.0[.354]	5.0[.196]	5.5[.216]	2