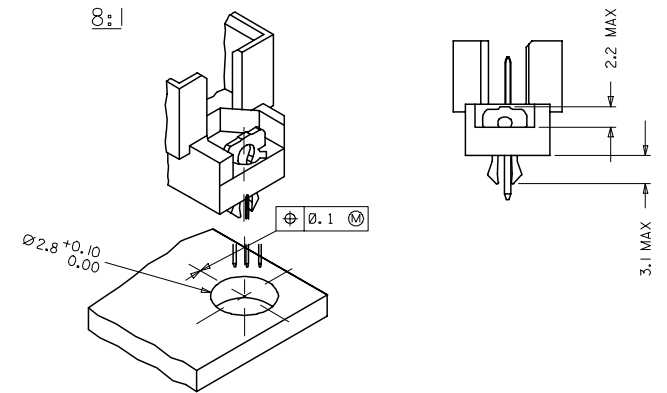
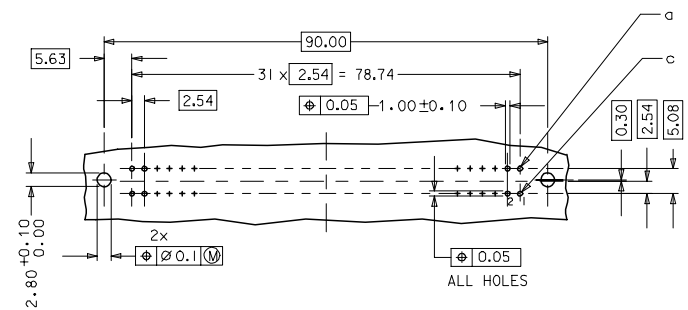


WITH MOUNTING CLIPS



- NOTES:
- 1) MATERIALS: THERMOPLASTIC POLYESTER, GLASS FILLED, UL94V-0, COLOUR: PEBBLE GREY RAL 7032
TERMINAL - BRASS
MOUNTING CLIP: STEEL
 - 2) FINISH: TERMINAL:-
CONTACT AREA:
1. PERFORMANCE LEVEL 1; SELECTIVE GOLD (Au), THICKNESS = 1.1 MICROMETER
OVER NICKEL, THICKNESS = 1.25 MICROMETER
2. PERFORMANCE LEVEL 2; SELECTIVE GOLD (Au), THICKNESS = 0.6 MICROMETER
OVER NICKEL, THICKNESS = 1.25 MICROMETER
3. PERFORMANCE LEVEL 3; SELECTIVE GOLD (Au), THICKNESS = 0.3 MICROMETER
OVER NICKEL, THICKNESS = 1.25 MICROMETER
TERMINATION AREA:
SELECTIVE TIN, THICKNESS = 2.5 MICROMETER
OVER NICKEL, THICKNESS = 1.25 MICROMETER OVERALL
 - 3) MOUNTING CLIP:-
TIN (Sn), THICKNESS = 5-10 MICROMETER,
OVER NICKEL (Ni), THICKNESS = 2.5 MICROMETER
 - 4) FOR NON MOUNTING CLIP OPTION, CONNECTOR TO BE SECURED WITH
RIVETS: 2 TUBULAR RIVETS 2.5 x 0.3 ... DIN 7340
SCREWS: 2 CHEESEHEAD SCREWS M2.5 x ... DIN 84 AND 2 HEXAGONAL NUTS M2.5 DIN 934
 - 5) MATERIAL NUMBER, BATCH CODE, UL AND CSA MARKING
TO BE PRINTED ON THE CONNECTOR
 - 6) CUT FACE OF TIP WITHOUT PLATING PERMITTED
 - 7) PRODUCT SPECIFICATION PS : 36511-001

RECOMMENDED PCB LAYOUT
COMPONENT SIDE

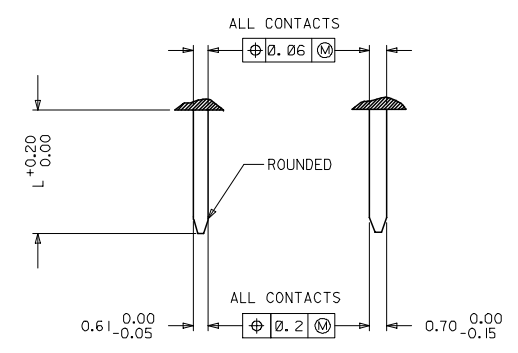


RoHS COMPLIANT

EC No: P007-0044 DRWNSATTI/MARAD 2006/10/10 CHK/ROSSDHR 2006/10/11 APPR/SSDHR 2006/10/17	QUALITY SYMBOLS ▽=0 ▽=0	GENERAL TOLERANCES (UNLESS SPECIFIED)		DIMENSION STYLE MM ONLY		SCALE 2:1	DESIGN UNITS METRIC	THIRD ANGLE PROJECTION
		4 PLACES ± --- ± --- 3 PLACES ± 0.05 ± --- 2 PLACES ± 0.1 ± --- 1 PLACE ± 0.15 ± ---	INCH ± --- ± --- ± --- ± ---	DRAWN BY SS	DATE 1999/09/24	TITLE ASSEMBLY, DIN 41612 R MALE 64 SOLDER	MATERIAL NO. SEE CHART	DOCUMENT NO. SD-36511-004
DRAFT WHERE APPLICABLE MUST REMAIN WITHIN DIMENSIONS		THIS DRAWING CONTAINS INFORMATION THAT IS PROPRIETARY TO MOLEX INCORPORATED AND SHOULD NOT BE USED WITHOUT WRITTEN PERMISSION						

	20	19	18	17	16	15	14	13	12	11	10	9	8	7	6	5	4	3	2	1
M	MATERIAL No.	MOLEX ENG No.	PERF LEVEL	PLATING	CONTACT SEQUENCE/ROW	DIM "L" MM	MOUNTING CLIP	FMLB												
	36511-0097	MM-B1401-R963	1	Au + Ni	1,2,3...32 a+c	2.9	NO	NO												
	36511-0098	MM-B1501-R963	2	Au + Ni	1,2,3...32 a+c	2.9	NO	NO												
	36511-0099	MM-B1601-R963	3	Au + Ni	1,2,3...32 a+c	2.9	NO	NO												
L																				
K	36511-0103	MM-B1401-R913	1	Au + Ni	1,2,3...32 a+c	2.9	YES	NO												
	36511-0104	MM-B1501-R913	2	Au + Ni	1,2,3...32 a+c	2.9	YES	NO												
	36511-0105	MM-B1601-R913	3	Au + Ni	1,2,3...32 a+c	2.9	YES	NO												
J	36511-0109	MM-B1401-R933	1	Au + Ni	1,2,3...32 a+c	2.9	NO	1,32a 1,32c												
	36511-0110	MM-B1501-R933	2	Au + Ni	1,2,3...32 a+c	2.9	NO	1,32a 1,32c												
	36511-0111	MM-B1601-R933	3	Au + Ni	1,2,3...32 a+c	2.9	NO	1,32a 1,32c												
I																				
	36511-0115	MM-B1401-R953	1	Au + Ni	1,2,3...32 a+c	2.9	YES	1,32a 1,32c												
	36511-0116	MM-B1501-R953	2	Au + Ni	1,2,3...32 a+c	2.9	YES	1,32a 1,32c												
	36511-0117	MM-B1601-R953	3	Au + Ni	1,2,3...32 a+c	2.9	YES	1,32a 1,32c												
H																				
G	36511-0121	MM-B1402-R963	1	Au + Ni	1,2,3...32 a+c	4.5	NO	NO												
	36511-0122	MM-B1502-R963	2	Au + Ni	1,2,3...32 a+c	4.5	NO	NO												
	36511-0123	MM-B1602-R963	3	Au + Ni	1,2,3...32 a+c	4.5	NO	NO												
F	36511-0127	MM-B1402-R913	1	Au + Ni	1,2,3...32 a+c	4.5	YES	NO												
	36511-0128	MM-B1502-R913	2	Au + Ni	1,2,3...32 a+c	4.5	YES	NO												
	36511-0129	MM-B1602-R913	3	Au + Ni	1,2,3...32 a+c	4.5	YES	NO												
E																				
	36511-0133	MM-B1402-R933	1	Au + Ni	1,2,3...32 a+c	4.5	NO	1,32a 1,32c												
	36511-0134	MM-B1502-R933	2	Au + Ni	1,2,3...32 a+c	4.5	NO	1,32a 1,32c												
	36511-0135	MM-B1602-R933	3	Au + Ni	1,2,3...32 a+c	4.5	NO	1,32a 1,32c												
D																				
C	36511-0139	MM-B1402-R953	1	Au + Ni	1,2,3...32 a+c	4.5	YES	1,32a 1,32c												
	36511-0140	MM-B1502-R953	2	Au + Ni	1,2,3...32 a+c	4.5	YES	1,32a 1,32c												
	36511-0141	MM-B1602-R953	3	Au + Ni	1,2,3...32 a+c	4.5	YES	1,32a 1,32c												

DETAILY DETAILX



PRE MATING CONTACTS	5.4
NORMAL CONTACTS	4.8
	L

RoHS COMPLIANT

EC No: 2007/0044 DRWNGATTI/MARAD 2006/10/10 CHKDCSUDHIR 2006/10/11 APPR:SSUDHIR 2006/10/17	QUALITY SYMBOLS	GENERAL TOLERANCES (UNLESS SPECIFIED)	DIMENSION STYLE MM ONLY	SCALE 2:1	DESIGN UNITS METRIC	THIRD ANGLE PROJECTION
	▽=0 ▽=0	4 PLACES ± 0.15 3 PLACES ± 0.05 2 PLACES ± 0.1 1 PLACE ± 0.15 ANGULAR ± 2°	mm INCH ± ± ±0.05 ± ± ± ± ±	DRAWN BY: SS DATE: 1999/09/24 CHECKED BY: GJLOWE DATE: 1999/09/24 APPROVED BY: GJLOWE DATE: 1999/09/24	TITLE	ASSEMBLY, DIN 41612 R MALE 64 POS SOLDER
	DRAFT WHERE APPLICABLE MUST REMAIN WITHIN DIMENSIONS	SIZE: A1	MATERIAL NO. SEE CHART	DOCUMENT NO. SD-36511-004	SHEET NO. 2 OF 2	

THIS DRAWING CONTAINS INFORMATION THAT IS PROPRIETARY TO MOLEX INCORPORATED AND SHOULD NOT BE USED WITHOUT WRITTEN PERMISSION